



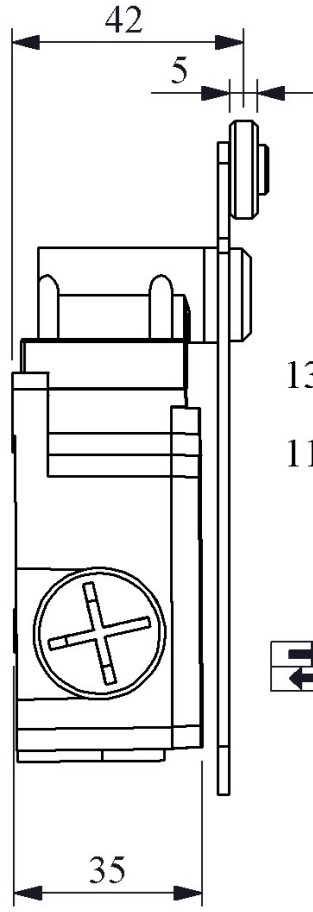
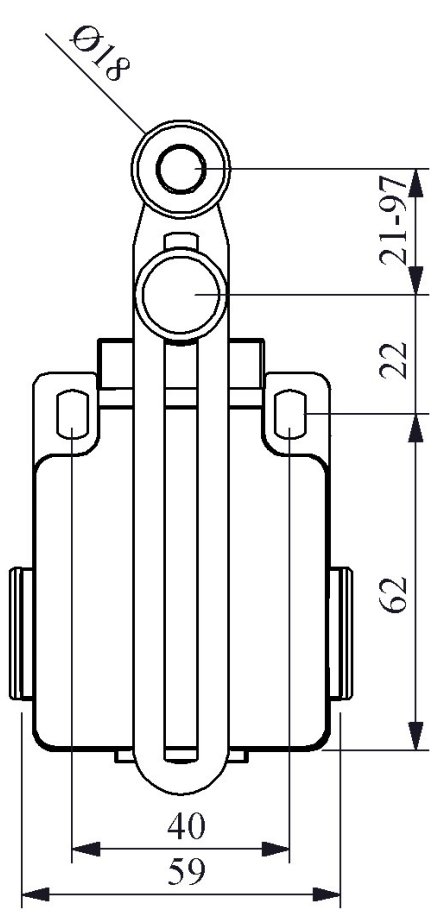
L2K13MEM123

| | | |
|---------------------------------------|------------------------------|-----------------------|
| Product | Limit Switch | |
| Contact | 1NO+1NC | |
| Actuator | Adjustable Roller Arm | |
| Actuator Dia | 18 mm | |
| Current | I_e | 3 A (240V AC) |
| Usage Category | AC15 | |
| Mechanical Life | Min Qty | 10000000 |
| Electrical Life | Min Qty | 1000000 |
| Operating Frequency | On-Off/Hour | Mech. 3000 Elec. 1800 |
| Insulation Voltage | U_i | 300 V |
| Impulse Withstand Voltage | U_{imp} | 2.5 kV |
| Dielectric Strength (Body-Contact) | 1.890V AC | |
| Dielectric Strength (Contact-Contact) | 1.890V AC | |
| Isolation Resistance | 10 MΩ (500 V DC) | |
| Operating Temperature | -25 / + 80 °C | |
| Pollution Degree | 3 | |
| Protection Degree | IP65 | |
| Contact Material | AgNi | |
| Cable Section | 1-2.5 mm ² | |
| Screw Torque | 1.5Nm | |
| Short Circuit Breaking Capacity | I_{cs} | 1 kA |
| Production Time | 31.12.1899 00:00:00 | |
| Serial | L2 Metal Body | |
| Contact Action | Snap Action | |
| Actuator Material | Metal | |
| Specifications | Metal Body and Plastic Cover | |
| | 3 side PG13,5 holes | |

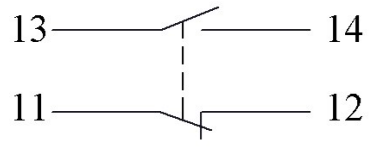
Various actuator options with wide sensitive contact block alternatives for all kind of applications

Standards / Certificates TS EN 60947-5-1 UL 508 VDE 0660





Devre Şeması



Ani Hareketli



Akış Diyagramı