



L51K25MEP122

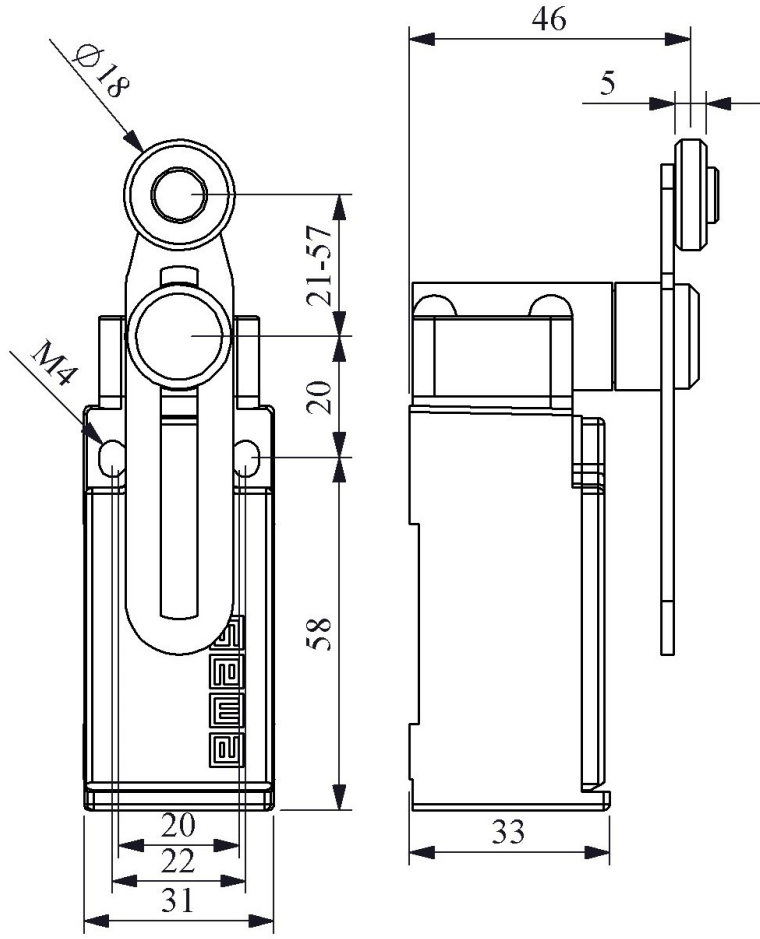
Product	Limit Switch
Serial	L51 Metal Body
Actuator Dia	18 mm
Actuator Material	Plastic
Actuator	Adjustable Roller Arm
Contact Action	Slow Action
Contact	1NO+2NC
Current (Ie)	3 A (240V AC)
Usage Category	AC15
Mechanical Life (Min Qty)	10000000
Electrical Life (Min Qty)	1000000
Operating Frequency (On-Off/Hour)	Mech. 3000 Elec. 1800
Insulation Voltage (Ui)	300 V
Impulse Withstand Voltage (Uimp)	2.5 kV
Dielectric Strength (Body-Contact)	1.890V AC
Dielectric Strength (Contact-Contact)	1.890V AC
Isolation Resistance	10 MΩ (500 V DC)
Operating Temperature	-25 / + 80 °C
Pollution Degree	3
Protection Degree	IP65
Contact Material	AgNi
Cable Section	1-2.5 mm ²
Screw Torque	1.5Nm
	1 kA
Production Time	1.12.2020 00:00:00
Specifications	Metal Body and Cover
	1 cable entry suitable for PG13.5 or M20x1.5 optional gland

Changeable contact block

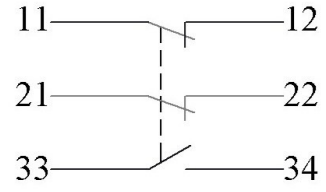
Different actuator options

Standards / Certificates TS EN 60947-5-1 UL 508 VDE 0660





Devre Şeması



Yavaş Hareketli



Akış Diyagramı