

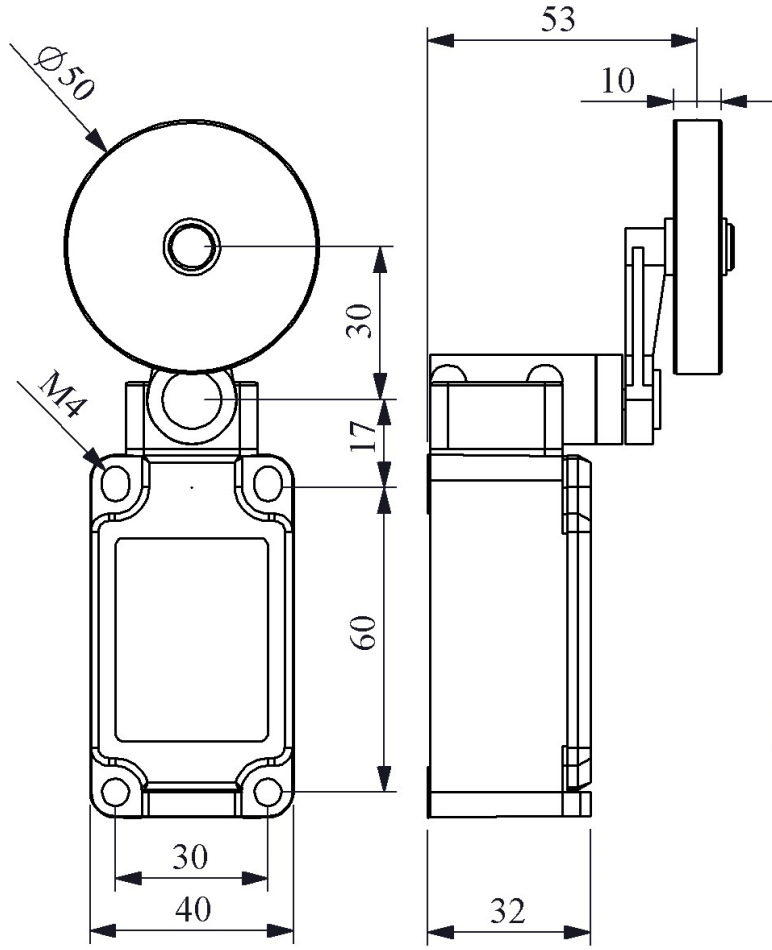

**L52K13MEL121**

|  |                    |                               |
|--|--------------------|-------------------------------|
| <b>Product</b>                               |                    | Limit Switch                  |
| <b>Contact</b>                               |                    | 1NO+1NC                       |
| <b>Actuator</b>                              |                    | Roller Arm                    |
| <b>Actuator Dia</b>                          |                    | 50 mm                         |
| <b>Current</b>                               | <b>Ie</b>          | 3 A (240V AC)                 |
| <b>Usage Category</b>                        |                    | AC15                          |
| <b>Mechanical Life</b>                       | <b>Min Qty</b>     | 10000000                      |
| <b>Electrical Life</b>                       | <b>Min Qty</b>     | 1000000                       |
| <b>Operating Frequency</b>                   | <b>On-Off/Hour</b> | Mech. 3000 Elec. 1800         |
| <b>Insulation Voltage</b>                    | <b>Ui</b>          | 300 V                         |
| <b>Impulse Withstand Voltage</b>             | <b>Uimp</b>        | 2.5 kV                        |
| <b>Dielectric Strength (Body-Contact)</b>    |                    | 1.890V AC                     |
| <b>Dielectric Strength (Contact-Contact)</b> |                    | 1.890V AC                     |
| <b>Isolation Resistance</b>                  |                    | 10 MΩ (500 V DC)              |
| <b>Operating Temperature</b>                 |                    | -25 / + 80 °C                 |
| <b>Pollution Degree</b>                      |                    | 3                             |
| <b>Protection Degree</b>                     |                    | IP65                          |
| <b>Contact Material</b>                      |                    | AgNi                          |
| <b>Cable Section</b>                         |                    | 1-2.5 mm <sup>2</sup>         |
| <b>Screw Torque</b>                          |                    | 1.5Nm                         |
| <b>Short Circuit Breaking Capacity</b>       | <b>Ics</b>         | 1 kA                          |
| <b>Production Time</b>                       |                    | 31.12.1899 00:00:00           |
| <b>Serial</b>                                |                    | L52 Metal Body                |
| <b>Contact Action</b>                        |                    | Snap Action                   |
| <b>Actuator Material</b>                     |                    | Rubber                        |
| <b>Specifications</b>                        |                    | Metal Body and Cover          |
|  |                    | 1 side PG13,5 or M20x1,5 hole |

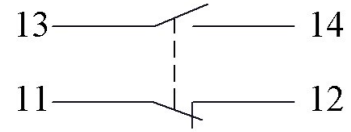
Various actuator options with wide sensitive contact block alternatives for all kind of applications

**Standards / Certificates** TS EN 60947-5-1 UL 508 VDE 0660





Devre Şeması



Ani Hareketli



Akış Diyagramı