



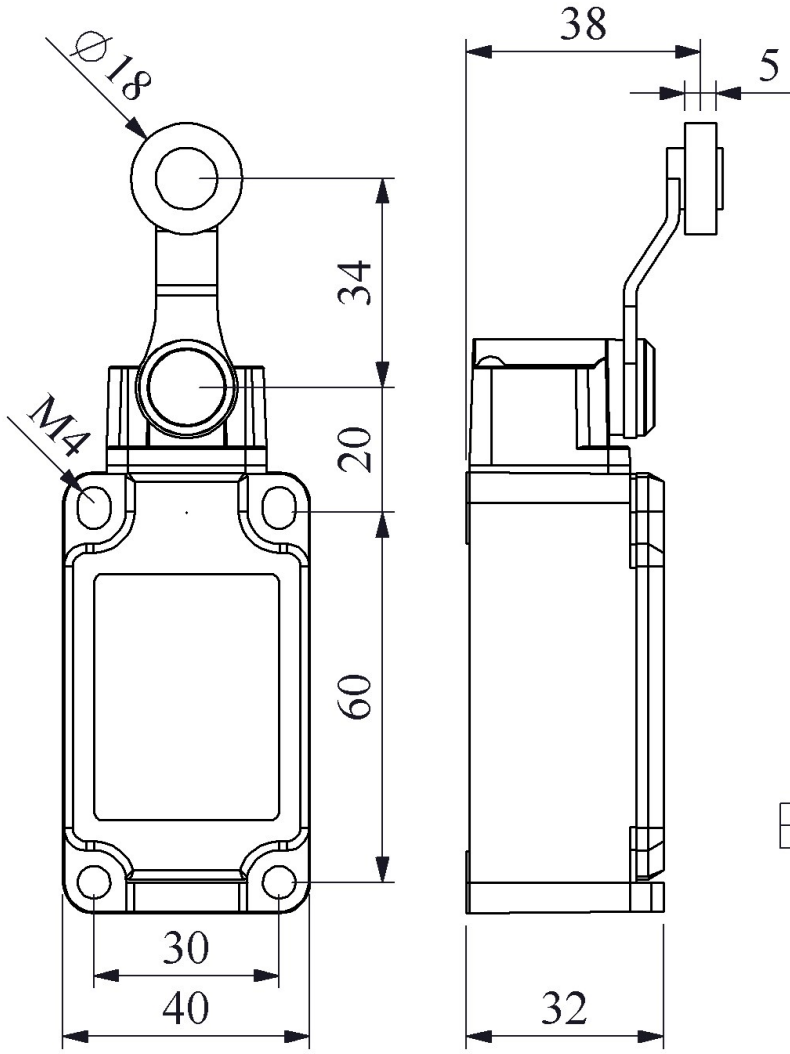
### L52K13MEP125

|                                       |                               |                       |
|---------------------------------------|-------------------------------|-----------------------|
| Product                               | Limit Switch                  |                       |
| Contact                               | 1NO+1NC                       |                       |
| Actuator                              | Adjustable Roller Arm         |                       |
| Actuator Dia                          | 18 mm                         |                       |
| Current                               | <b>I<sub>e</sub></b>          | 3 A (240V AC)         |
| Usage Category                        | AC15                          |                       |
| Mechanical Life                       | <b>Min Qty</b>                | 10000000              |
| Electrical Life                       | <b>Min Qty</b>                | 1000000               |
| Operating Frequency                   | <b>On-Off/Hour</b>            | Mech. 3000 Elec. 1800 |
| Insulation Voltage                    | <b>U<sub>i</sub></b>          | 300 V                 |
| Impulse Withstand Voltage             | <b>U<sub>imp</sub></b>        | 2.5 kV                |
| Dielectric Strength (Body-Contact)    | 1.890V AC                     |                       |
| Dielectric Strength (Contact-Contact) | 1.890V AC                     |                       |
| Isolation Resistance                  | 10 MΩ (500 V DC)              |                       |
| Operating Temperature                 | -25 / + 80 °C                 |                       |
| Pollution Degree                      | 3                             |                       |
| Protection Degree                     | IP65                          |                       |
| Contact Material                      | AgNi                          |                       |
| Cable Section                         | 1-2.5 mm <sup>2</sup>         |                       |
| Screw Torque                          | 1.5Nm                         |                       |
| Short Circuit Breaking Capacity       | <b>I<sub>cs</sub></b>         | 1 kA                  |
| Production Time                       | 31.12.1899 00:00:00           |                       |
| Serial                                | L52 Metal Body                |                       |
| Contact Action                        | Snap Action                   |                       |
| Actuator Material                     | Plastic                       |                       |
| Specifications                        | Metal Body and Cover          |                       |
|                                       | 1 side PG13,5 or M20x1,5 hole |                       |

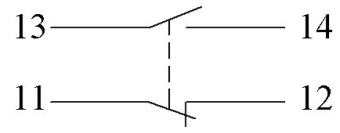
Various actuator options with wide sensitive contact block alternatives for all kind of applications

**Standards / Certificates** TS EN 60947-5-1 UL 508 VDE 0660





Devre Şeması



Ani Hareketli



Akış Diyagramı