



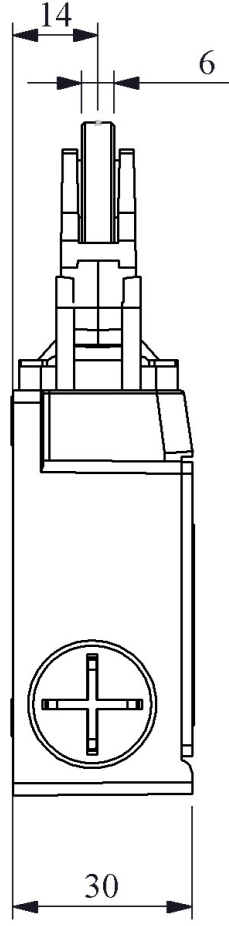
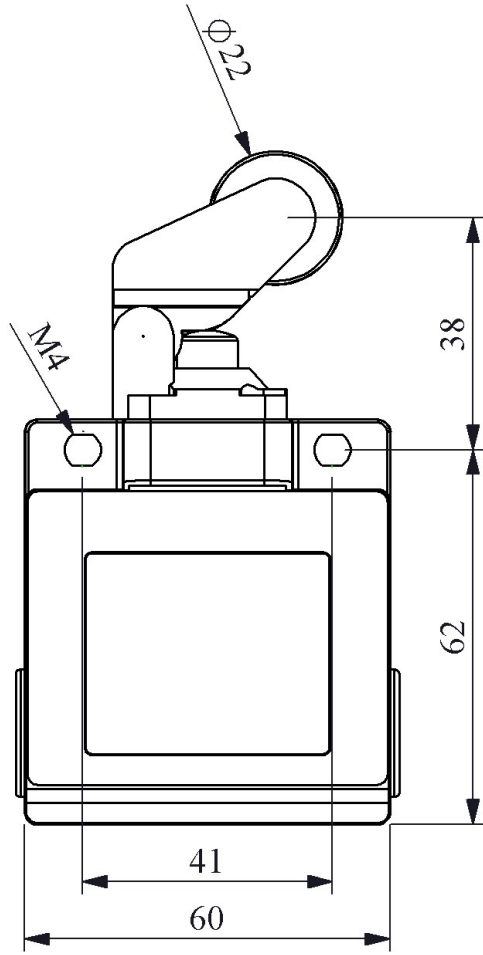
### L53K13MIP211

|                                       |                        |                       |
|---------------------------------------|------------------------|-----------------------|
| Product                               |                        | Limit Switch          |
| Contact                               |                        | 1NO+1NC               |
| Actuator                              |                        | Roller Lever          |
| Actuator Dia                          |                        | 22 mm                 |
| Current                               | <b>I<sub>e</sub></b>   | 3 A (240V AC)         |
| Usage Category                        |                        | AC15                  |
| Mechanical Life                       | <b>Min Qty</b>         | 10000000              |
| Electrical Life                       | <b>Min Qty</b>         | 1000000               |
| Operating Frequency                   | <b>On-Off/Hour</b>     | Mech. 3000 Elec. 1800 |
| Insulation Voltage                    | <b>U<sub>i</sub></b>   | 300 V                 |
| Impulse Withstand Voltage             | <b>U<sub>imp</sub></b> | 2.5 kV                |
| Dielectric Strength (Body-Contact)    |                        | 1.890V AC             |
| Dielectric Strength (Contact-Contact) |                        | 1.890V AC             |
| Isolation Resistance                  |                        | 10 MΩ (500 V DC)      |
| Operating Temperature                 |                        | -25 / + 80 °C         |
| Pollution Degree                      |                        | 3                     |
| Protection Degree                     |                        | IP65                  |
| Contact Material                      |                        | AgNi                  |
| Cable Section                         |                        | 1-2.5 mm <sup>2</sup> |
| Screw Torque                          |                        | 1.5Nm                 |
| Short Circuit Breaking Capacity       | <b>I<sub>cs</sub></b>  | 1 kA                  |
| Production Time                       |                        | 31.12.1899 00:00:00   |
| Serial                                |                        | L53 Metal Body        |
| Contact Action                        |                        | Snap Action           |
| Actuator Material                     |                        | Plastic               |
| Specifications                        |                        | Metal Body and Cover  |
|                                       |                        | 3 side PG13,5 holes   |

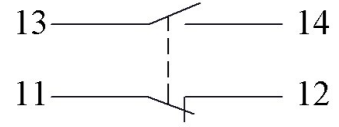
Various actuator options with wide sensitive contact block alternatives for all kind of applications

**Standards / Certificates** TS EN 60947-5-1 UL 508 VDE 0660

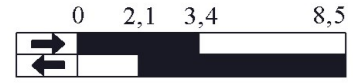




Devre Şeması



Ani Hareketli



Akış Diyagramı