



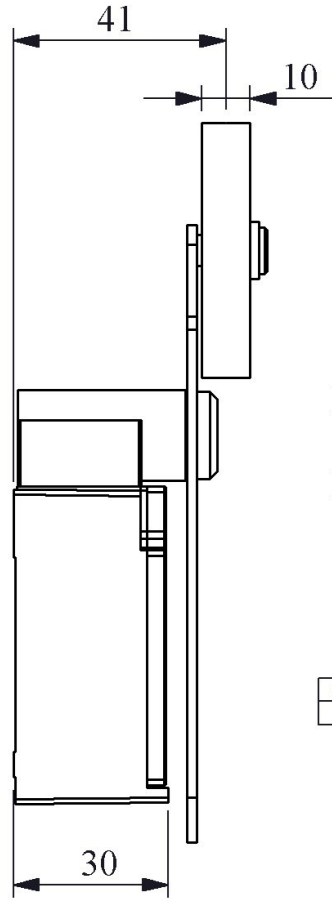
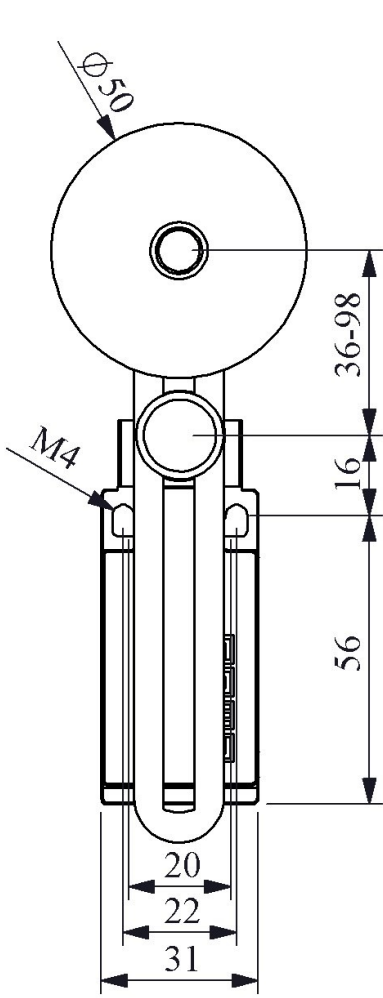
### L5K23MEL123

|  |   |
|--|---|
| <b>Product</b>                               | Limit Switch  |
| <b>Serial</b>                                | L5 Plastic Body   |
| <b>Actuator Dia</b>                          | 50 mm   |
| <b>Actuator Material</b>                     | Rubber  |
| <b>Actuator</b>                              | Adjustable Roller Arm                                       |
| <b>Contact Action</b>                        | Slow Action   |
| <b>Contact</b>                               | 1NO+1NC   |
| <b>Current (Ie)</b>                          | 3 A (240V AC)   |
| <b>Usage Category</b>                        | AC15  |
| <b>Mechanical Life (Min Qty)</b>             | 10000000  |
| <b>Electrical Life (Min Qty)</b>             | 1000000   |
| <b>Operating Frequency (On-Off/Hour)</b>     | Mech. 3000 Elec. 1800                                       |
| <b>Insulation Voltage (Ui)</b>               | 300V  |
| <b>Impulse Withstand Voltage (Uimp)</b>      | 2.5 kV  |
| <b>Dielectric Strength (Body-Contact)</b>    | 2.500V AC   |
| <b>Dielectric Strength (Contact-Contact)</b> | 1.500V AC   |
| <b>Isolation Resistance</b>                  | 10 MΩ (500 V DC)  |
| <b>Operating Temperature</b>                 | -25 / + 80 °C   |
| <b>Pollution Degree</b>                      | 3   |
| <b>Protection Degree</b>                     | IP65  |
| <b>Contact Material</b>                      | AgNi  |
| <b>Cable Section</b>                         | 1-2.5 mm <sup>2</sup>                                       |
| <b>Screw Torque</b>                          | 1.5Nm   |
|  | 1 kA  |
| <b>Specifications</b>                        | Plastic Body and Cover                                      |
|  | 1 cable entry suitable for PG13.5 or M20x1.5 optional gland |
|  | Changeable contact block                                    |

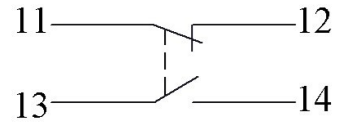
Different actuator options

Standards / Certificates TS EN 60947-5-1 UL 508 VDE 0660

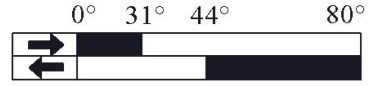




Devre Şeması



Yavaş Hareketli



Akış Diyagramı