

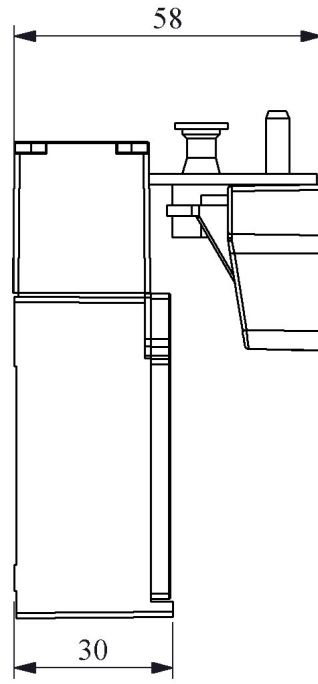
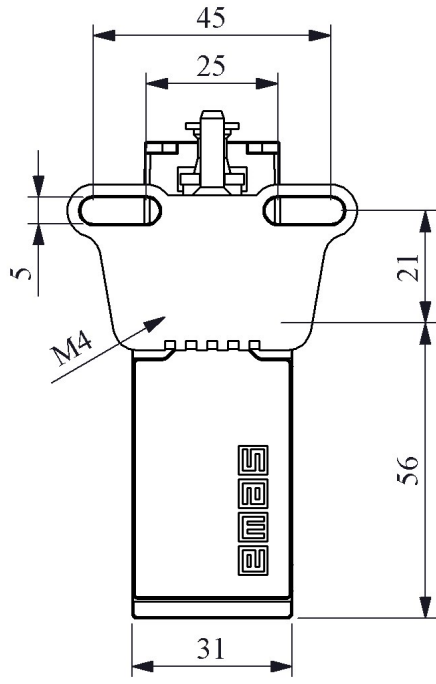


### L5K25LUM324

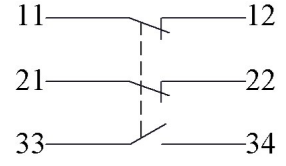
|                                       |                        |  |
|---------------------------------------|------------------------|--|
| Product                               |                        | Limit Switch   |
| Contact                               |                        | 1NO+2NC  |
| Actuator                              |                        | With Flexible Key Safety Switch  |
| Current                               | <b>I<sub>e</sub></b>   | 3 A (240V AC)  |
| Usage Category                        |                        | AC15   |
| Mechanical Life                       | <b>Min Qty</b>         | 10000000   |
| Electrical Life                       | <b>Min Qty</b>         | 1000000  |
| Operating Frequency                   | <b>On-Off/Hour</b>     | Mech. 3000 Elec. 1800  |
| Insulation Voltage                    | <b>U<sub>i</sub></b>   | 300V   |
| Impulse Withstand Voltage             | <b>U<sub>imp</sub></b> | 2.5 kV   |
| Dielectric Strength (Body-Contact)    |                        | 2.500V AC  |
| Dielectric Strength (Contact-Contact) |                        | 1.500V AC  |
| Isolation Resistance                  |                        | 10 MΩ (500 V DC)   |
| Operating Temperature                 |                        | -25 / + 80 °C  |
| Pollution Degree                      |                        | 3  |
| Protection Degree                     |                        | IP65   |
| Contact Material                      |                        | AgNi   |
| Cable Section                         |                        | 1-2.5 mm <sup>2</sup>  |
| Screw Torque                          |                        | 1.5Nm  |
| Short Circuit Breaking Capacity       | <b>I<sub>cs</sub></b>  | 1 kA   |
| Production Time                       |                        | 31.12.1899 00:00:00  |
| Serial                                |                        | L5 Plastic Body  |
| Contact Action                        |                        | Slow Action  |
| Actuator Material                     |                        | Metal  |
| Specifications                        |                        | Plastic Body and Cover   |
|                                       |                        | 1 side PG13,5 or M20x1,5 hole  |
|                                       |                        | Various actuator options with wide sensitive contact block alternatives for all kind of applications |

Standards / Certificates TS EN 60947-5-1 UL 508 VDE 0660





Devre Şeması



Yavaş Hareketli



Akış Şeması