

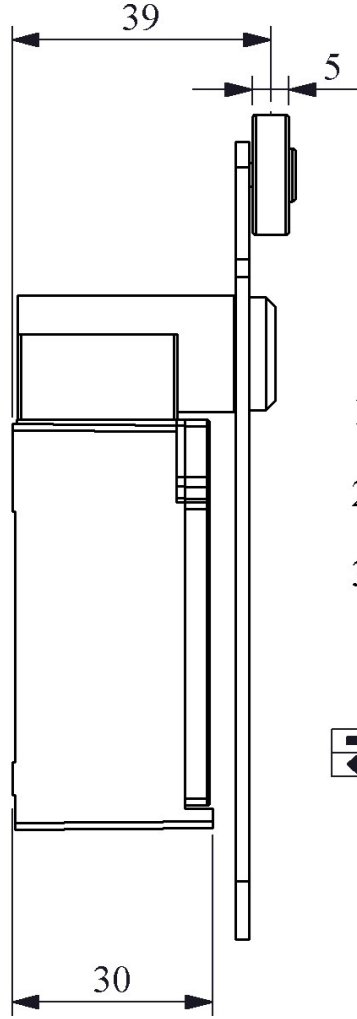
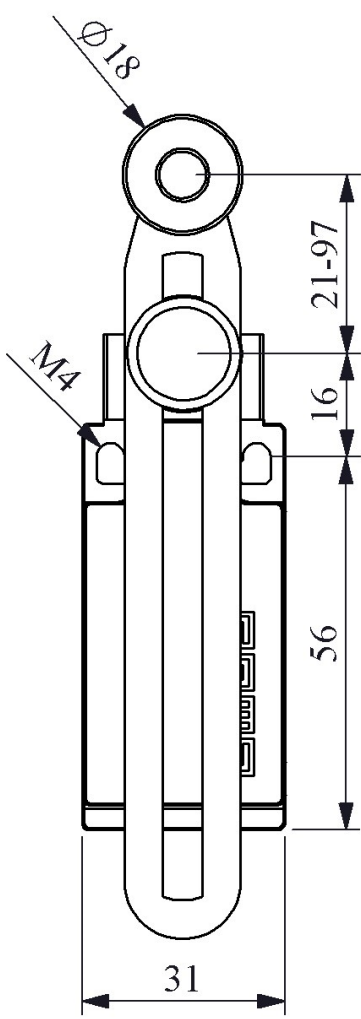
**L5K25MEP123**

<b>Product</b>		Limit Switch
<b>Contact</b>		1NO+2NC
<b>Actuator</b>		Adjustable Roller Arm
<b>Actuator Dia</b>		18 mm
<b>Current</b>	<b>Ie</b>	3 A (240V AC)
<b>Usage Category</b>		AC15
<b>Mechanical Life</b>	<b>Min Qty</b>	10000000
<b>Electrical Life</b>	<b>Min Qty</b>	1000000
<b>Operating Frequency</b>	<b>On-Off/Hour</b>	Mech. 3000 Elec. 1800
<b>Insulation Voltage</b>	<b>Ui</b>	300V
<b>Impulse Withstand Voltage</b>	<b>Uimp</b>	2.5 kV
<b>Dielectric Strength (Body-Contact)</b>		2.500V AC
<b>Dielectric Strength (Contact-Contact)</b>		1.500V AC
<b>Isolation Resistance</b>		10 MΩ (500 V DC)
<b>Operating Temperature</b>		-25 / + 80 °C
<b>Pollution Degree</b>		3
<b>Protection Degree</b>		IP65
<b>Contact Material</b>		AgNi
<b>Cable Section</b>		1-2.5 mm <sup>2</sup>
<b>Screw Torque</b>		1.5Nm
<b>Short Circuit Breaking Capacity</b>	<b>Ics</b>	1 kA
<b>Production Time</b>		31.12.1899 00:00:00
<b>Serial</b>		L5 Plastic Body
<b>Contact Action</b>		Slow Action
<b>Actuator Material</b>		Plastic
<b>Specifications</b>		Plastic Body and Cover 1 side PG13,5 or M20x1,5 hole

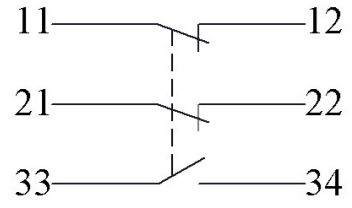
Various actuator options with wide sensitive contact block alternatives for all kind of applications

**Standards / Certificates** TS EN 60947-5-1 UL 508 VDE 0660

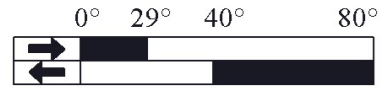




Devre Şeması



Yavaş Hareketli



Akış Diyagramı