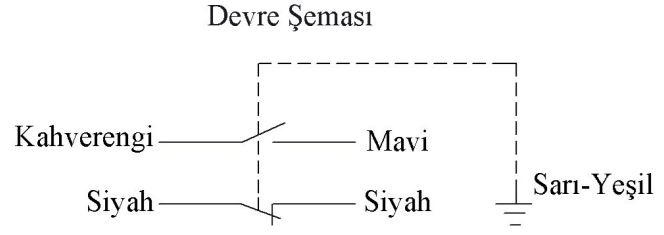
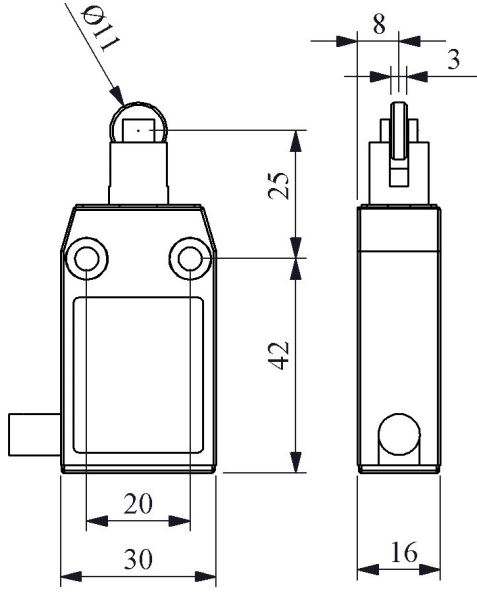



L61K13MUM331-3

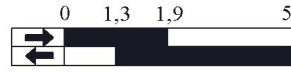
Product	Limit Switch	
Contact	1NO+1NC	
Actuator	Roller Plunger	
Actuator Dia	11 mm	
Current	Ie	3 A (240V AC)
Usage Category	AC15	
Mechanical Life	Min Qty	10000000
Electrical Life	Min Qty	1000000
Operating Frequency	On-Off/Hour	Mech. 3000 Elec. 1800
Insulation Voltage	Ui	300 V
Impulse Withstand Voltage	Uimp	2.5 kV
Dielectric Strength (Body-Contact)	1.890V AC	
Dielectric Strength (Contact-Contact)	1.890V AC	
Isolation Resistance	10 MΩ (500 V DC)	
Operating Temperature	-25 / + 80 °C	
Pollution Degree	3	
Protection Degree	IP67	
Contact Material	AgNi	
Short Circuit Breaking Capacity	Ics	1 kA
Production Time	7.10.2022 00:00:00	
Serial	L61 Metal Body	
Contact Action	Snap Action	
Actuator Material	Metal	
Specifications	Metal Single Body	
	Compact design	
	Easy connection with prewired cable	
	Increased safety with earthing	
	Superior insulation	

Standards / Certificates TS EN 60947-5-1 UL 508 VDE 0660





Ani Hareketli



Akış Diyagramı