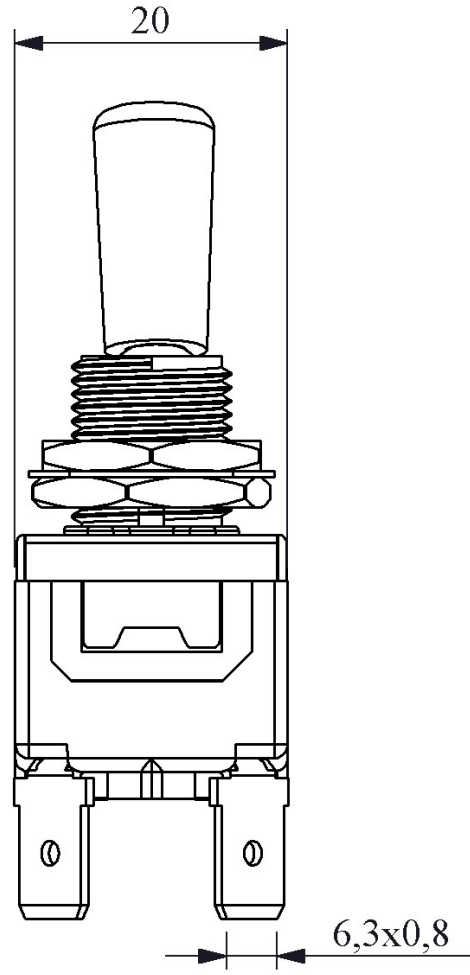
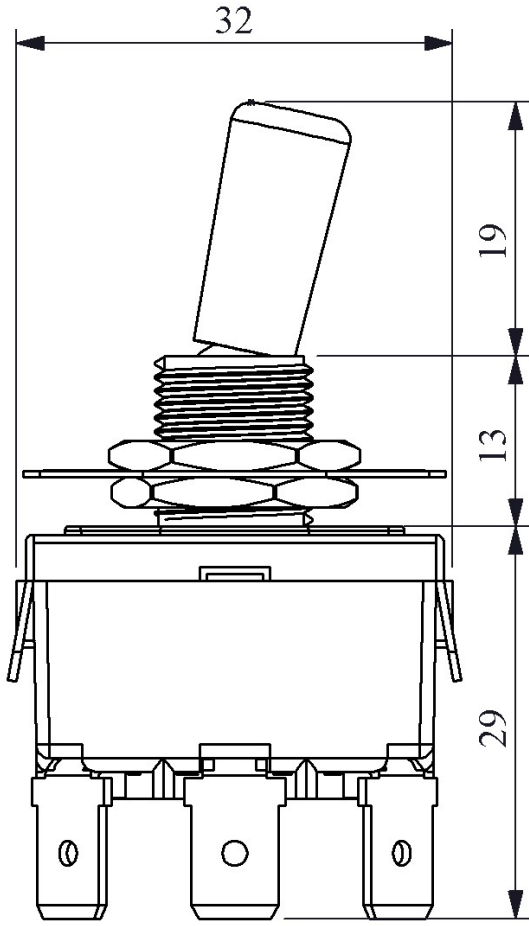


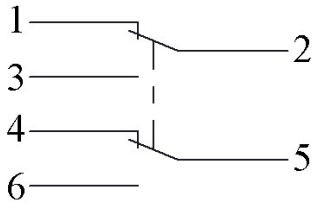

MA222T

Connection Type		with Terminal
Print		(On-On) Marked
Product		Toggle Switch
Feature		with extra Plastic Handle
Contact		2NO+2NC
Current	I_e	16 A (250V AC)
Usage Category		AC15
Mechanical Life	Min Qty	100000
Electrical Life	Min Qty	10000
Operating Frequency	On-Off/Hour	Mech.900 Elec.900
Insulation Voltage	U_i	300V
Impulse Withstand Voltage	U_{imp}	2.5 kV
Dielectric Strength (Body-Contact)		2.500V AC
Dielectric Strength (Contact-Contact)		1.500V AC
Isolation Resistance		10 MΩ min. (500V DC)
Operating Temperature		-25 / +80 °C
Pollution Degree		3
Protection Degree		IP20
Contact Material		AgNi
Cable Section		Terminal 6,3*0,8 mm
Short Circuit Breaking Capacity	I_{cs}	1 kA
Serial		MA Series
Specifications		Maximum product reliability with V0 material
		Different badge options
Standards / Certificates		TS EN 61058-1





Devre Şeması



Montaj Ölçüsü $\varnothing 12$ mm