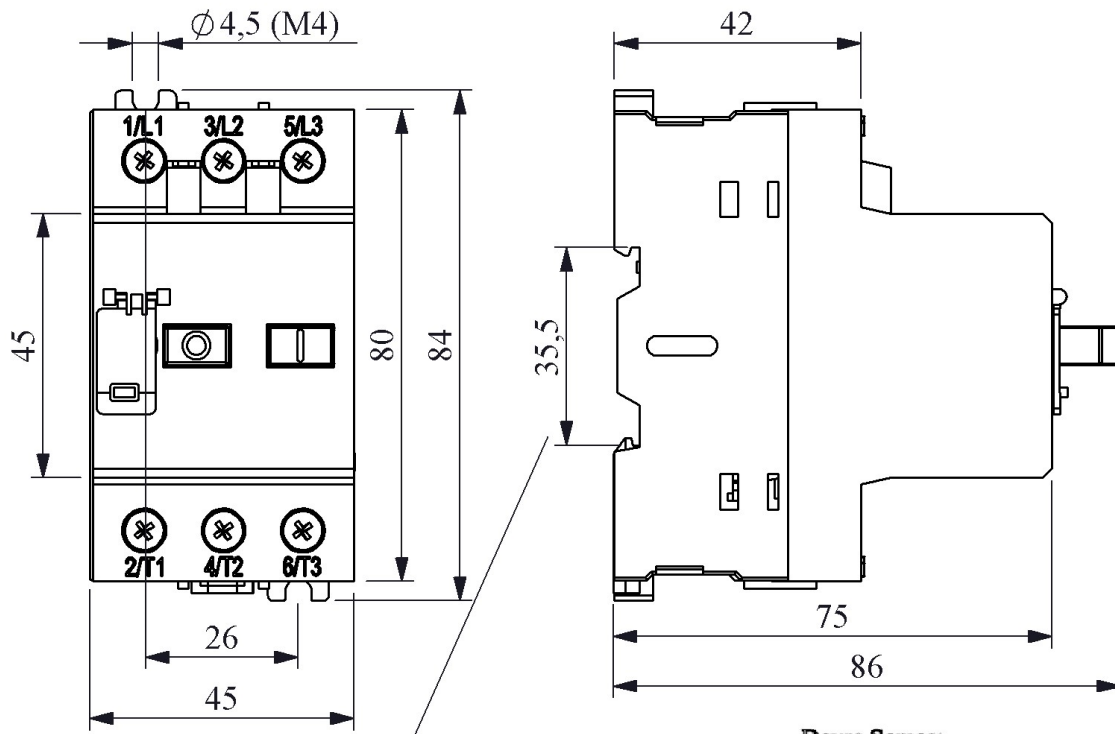


MKS1TM-0.16

Operational Frequency		50-60 Hz
Product		Motor Protection Switch
Current	Ie	25 A
Thermic Current		0,10-0,16A
Calibration Interval		
Usage Category		AC 3
Mechanical Life	Min Qty	100000
Electrical Life	Min Qty	100000
Operating Frequency	On-Off/Hour	Mek. 360 Elk. 360
Insulation Voltage	Ui	690V AC
Impulse Withstand Voltage	Uimp	6 kV
Dielectric Strength (Contact-Contact)		1890V
Isolation Resistance		10 MΩ Min. (500 V DC)
Operating Temperature		-5 / +40 °C
Pollution Degree		3
Protection Degree		IP40
Cable Section		0,75-4 mm ²
Screw Torque		1,8 Nm
Short Circuit Breaking Capacity	Ics	6 kA
Serial		MKS Series
Specifications		Adjustable overload release 13 ranges between 0.1-25 A
		Short circuit release factor set at 12xIe
		Short circuit switching capacity minimum 6 kA / 400 V
Standards / Certificates		TS EN 60947-4-1





DIN rail EN 50022-35 Raya uygundur.

