



### MKS1TM-2.5

Operational Frequency		50-60 Hz
Product		Motor Protection Switch
Current	<b>I<sub>e</sub></b>	25 A
Thermic Current		1,60-2,50A
Calibration Interval		
Usage Category		AC 3
Mechanical Life	<b>Min Qty</b>	100000
Electrical Life	<b>Min Qty</b>	100000
Operating Frequency	<b>On-Off/Hour</b>	Mek. 360 Elk. 360
Insulation Voltage	<b>U<sub>i</sub></b>	690V AC
Impulse Withstand Voltage	<b>U<sub>imp</sub></b>	6 kV
Dielectric Strength (Contact-Contact)		1890V
Isolation Resistance		10 MΩ Min. (500 V DC)
Operating Temperature		-5 / +40 °C
Pollution Degree		3
Protection Degree		IP40
Cable Section		0,75-4 mm <sup>2</sup>
Screw Torque		1,8 Nm
Short Circuit Breaking Capacity	<b>I<sub>cs</sub></b>	6 kA
Production Time		Adjustable overload release 13 ranges between 0.1-25 A; Short circuit release factor set at 12xI <sub>e</sub> ; Short circuit switching capacity minimum 6 kA / 400 V
Serial		MKS Series
Specifications		Adjustable overload release 13 ranges between 0.1-25 A
		Short circuit release factor set at 12xI <sub>e</sub>
		Short circuit switching capacity minimum 6 kA / 400 V
Standards / Certificates		TS EN 60947-4-1

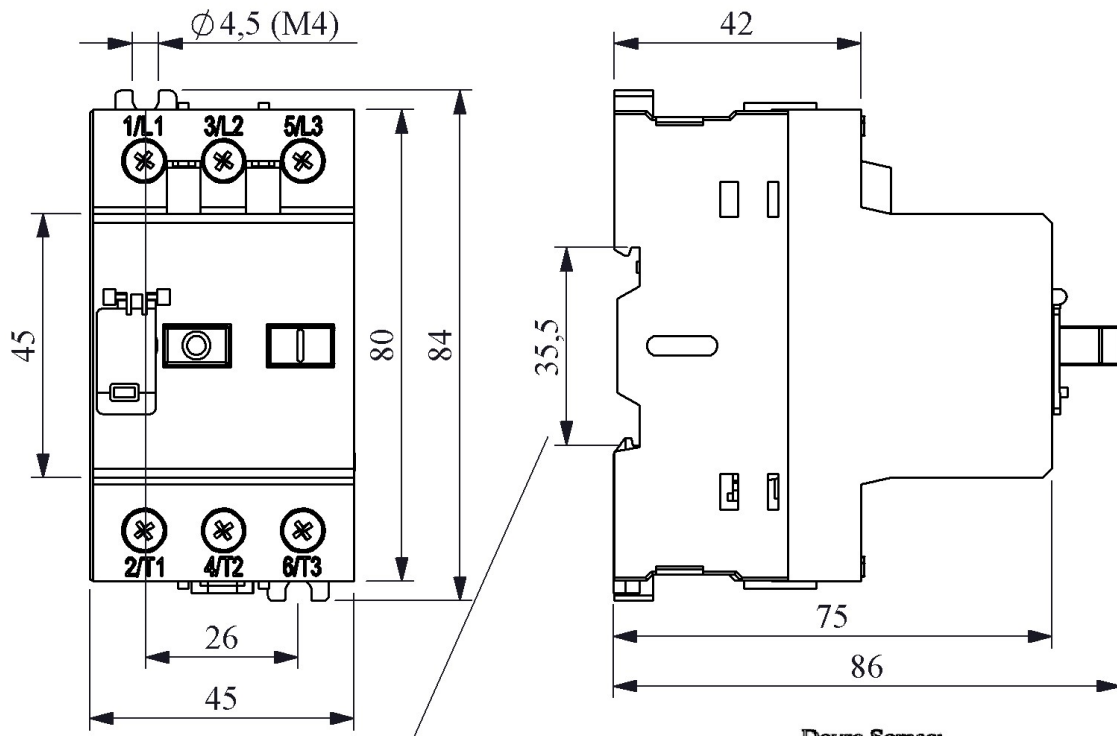
CE

ERT



TSE

UK  
PA



DIN rail EN 50022-35 Raya uygundur.

