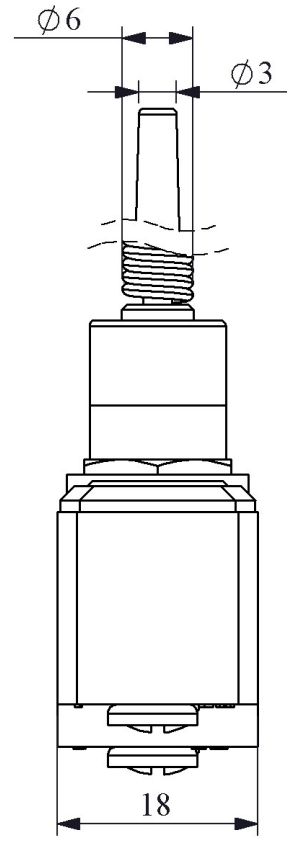
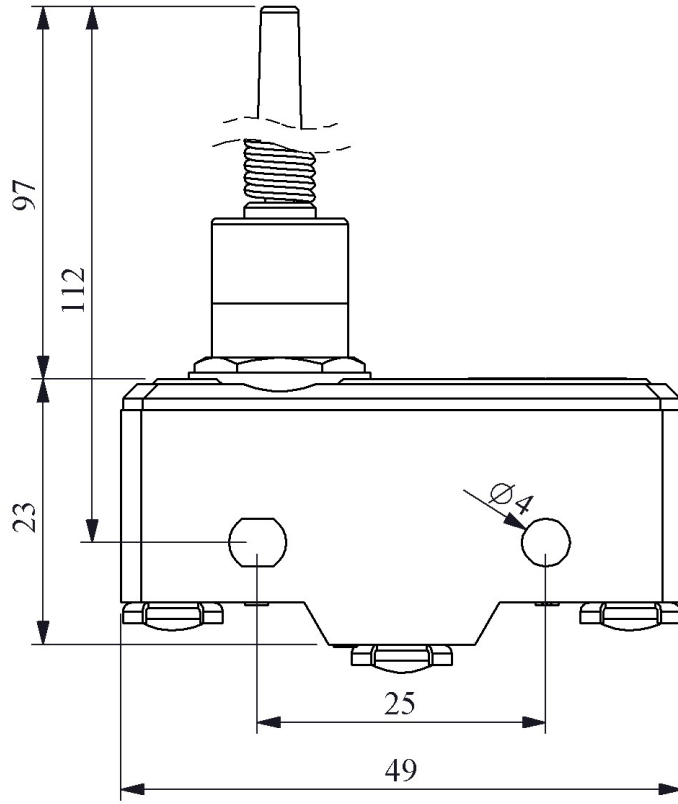




MN1SOP1

Product	Plastic Mini Switch
Serial	MN1 Series
Actuator Material	Plastic
Actuator	Spring Lever
Contact	1CO
Current	Ie 6 A (250V AC)
Usage Category	AC15
Mechanical Life (Min Qty)	500000
Electrical Life (Min Qty)	100000
Operating Frequency (On-Off/Hour)	Mech. 3000 Elec. 1200
Insulation Voltage (Ui)	660V
Impulse Withstand Voltage (Uimp)	2.5 kV
Dielectric Strength (Body-Contact)	1.890V AC
Dielectric Strength (Contact-Contact)	1.890V AC
Isolation Resistance	10 MΩ min. (500V DC)
Operating Temperature	-25 / +80 °C
Pollution Degree	3
Protection Degree	IP20 (IP40 Koruma Kapaklı)
Contact Material	AgNi
Cable Section	1-2.5 mm ²
Screw Torque	1,5 Nm
	1 kA
Specifications	V0 material
	Different actuator options
Standards / Certificates	TS EN 60947-5-1





Devre Şeması

