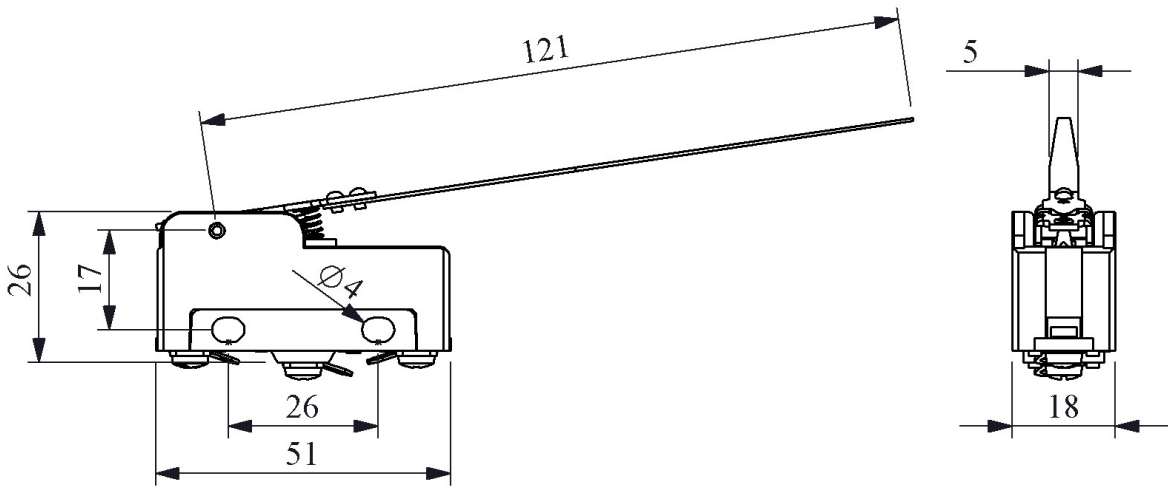




MN2KIM3

| | | |
|---------------------------------------|--|-----------------------|
| Product | Plastic Mini Switch | |
| Contact | 1CO | |
| Actuator | Long Lever | |
| Current | I_e | 6 A (250V AC) |
| Usage Category | AC15 | |
| Mechanical Life | Min Qty | 500000 |
| Electrical Life | Min Qty | 100000 |
| Operating Frequency | On-Off/Hour | Mech. 3000 Elec. 1200 |
| Insulation Voltage | U_i | 660V |
| Impulse Withstand Voltage | U_{imp} | 2.5 kV |
| Dielectric Strength (Body-Contact) | 1.890V AC | |
| Dielectric Strength (Contact-Contact) | 1.890V AC | |
| Isolation Resistance | 10 MΩ min. (500V DC) | |
| Operating Temperature | -25 / +80 °C | |
| Pollution Degree | 3 | |
| Protection Degree | IP20 (IP40 Koruma Kapaklı) | |
| Contact Material | AgNi | |
| Cable Section | 1-2.5 mm ² | |
| Screw Torque | 1,5 Nm | |
| Short Circuit Breaking Capacity | I_{cs} | 1 kA |
| Serial | MN2 Series | |
| Actuator Material | Metal | |
| Specifications | Maximum product reliability with V0 material | |
| | Different actuator options | |
| | Standard mounting holes | |
| Standards / Certificates | TS EN 60947-5-1 | |





Devre Şeması

