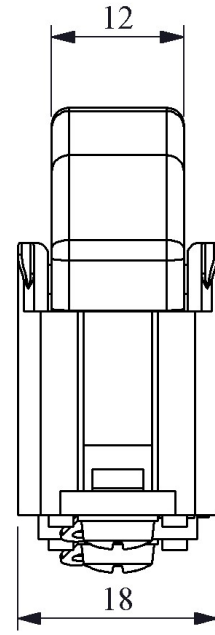
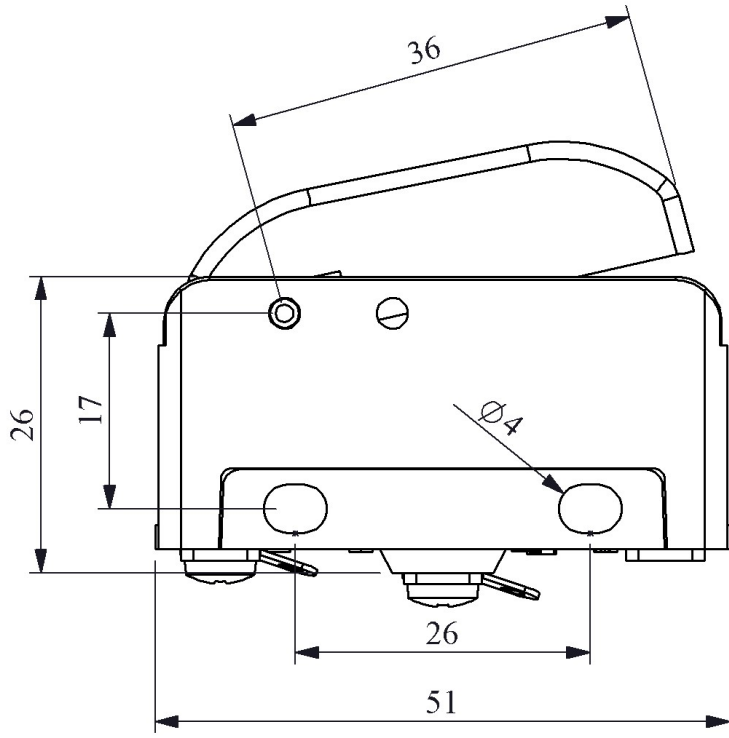


MN2TIP11T

Product	Plastic Mini Switch	
Contact	1NO	
Actuator	Trigger	
Current	I_e	6 A (250V AC)
Usage Category	AC15	
Mechanical Life	Min Qty	500000
Electrical Life	Min Qty	100000
Operating Frequency	On-Off/Hour	Mech. 3000 Elec. 1200
Insulation Voltage	U_i	660V
Impulse Withstand Voltage	U_{imp}	2.5 kV
Dielectric Strength (Body-Contact)	1.890V AC	
Dielectric Strength (Contact-Contact)	1.890V AC	
Isolation Resistance	10 MΩ min. (500V DC)	
Operating Temperature	-25 / +80 °C	
Pollution Degree	3	
Protection Degree	IP20 (IP40 Koruma Kapaklı)	
Contact Material	AgNi	
Cable Section	1-2.5 mm ²	
Screw Torque	1,5 Nm	
Short Circuit Breaking Capacity	I_{cs}	1 kA
Serial	MN2 Series	
Actuator Material	Plastic	
Specifications	Maximum product reliability with V0 material	
	Different actuator options	
	Standard mounting holes	
Standards / Certificates	TS EN 60947-5-1	





Devre Şeması

