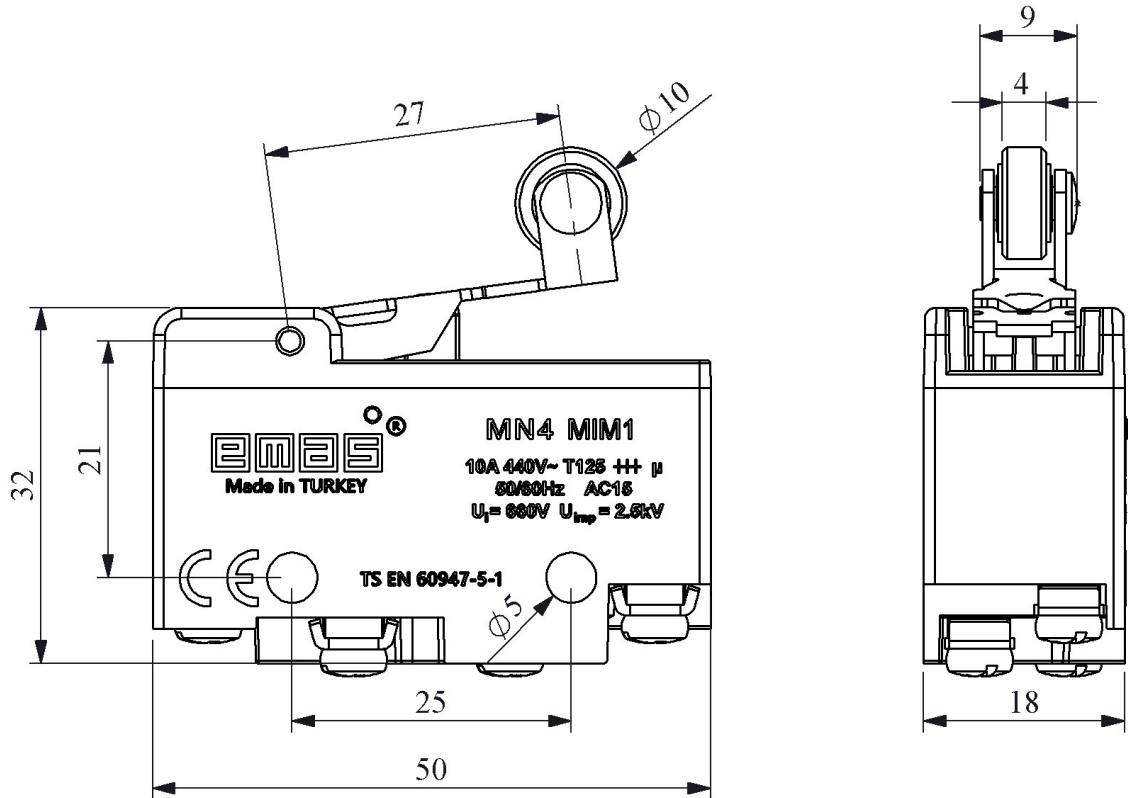


MN4MIM1

| | | |
|--|------------------------|--|
| Product | | Plastic Mini Switch |
| Contact | | 1NO+1NC |
| Actuator | | Short Lever Roller |
| Current | I_e | 6 A (250V AC) |
| Usage Category | | AC15 |
| Mechanical Life | Min Qty | 500000 |
| Electrical Life | Min Qty | 100000 |
| Operating Frequency | On-Off/Hour | Mech. 3000 Elec. 1200 |
| Insulation Voltage | U_i | 660V |
| Impulse Withstand Voltage | U_{imp} | 2.5 kV |
| Dielectric Strength (Body-Contact) | | 1.890V AC |
| Dielectric Strength (Contact-Contact) | | 1.890V AC |
| Isolation Resistance | | 10 MΩ min. (500V DC) |
| Operating Temperature | | -25 / +80 °C |
| Pollution Degree | | 3 |
| Protection Degree | | IP20 (IP40 Koruma Kapaklı) |
| Contact Material | | AgNi |
| Cable Section | | 1-2.5 mm ² |
| Screw Torque | | 1,5 Nm |
| Short Circuit Breaking Capacity | I_{cs} | 1 kA |
| Serial | | MN4 Series |
| Actuator Material | | Metal |
| Specifications | | Maximum product reliability with V0 material |
| | | Different actuator options |
| | | Standard mounting holes |
| Standards / Certificates | | TS EN 60947-5-1 |





Devre Şeması

