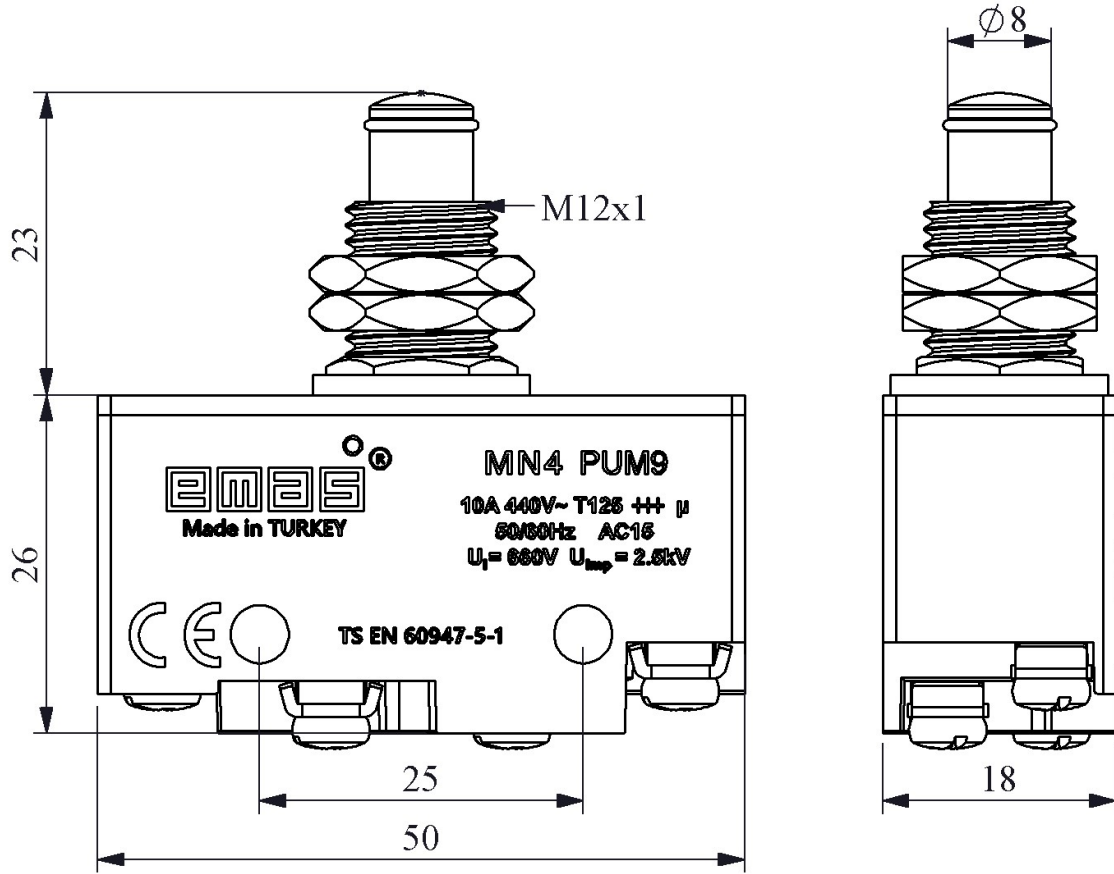


### MN4PUM9

Product		Plastic Mini Switch
Contact		1NO+1NC
Actuator		Thick Plunger
Current	<b>I<sub>e</sub></b>	6 A (250V AC)
Usage Category		AC15
Mechanical Life	<b>Min Qty</b>	500000
Electrical Life	<b>Min Qty</b>	100000
Operating Frequency	<b>On-Off/Hour</b>	Mech. 3000 Elec. 1200
Insulation Voltage	<b>U<sub>i</sub></b>	660V
Impulse Withstand Voltage	<b>U<sub>imp</sub></b>	2.5 kV
Dielectric Strength (Body-Contact)		1.890V AC
Dielectric Strength (Contact-Contact)		1.890V AC
Isolation Resistance		10 MΩ min. (500V DC)
Operating Temperature		-25 / +80 °C
Pollution Degree		3
Protection Degree		IP20 (IP40 Koruma Kapaklı)
Contact Material		AgNi
Cable Section		1-2.5 mm <sup>2</sup>
Screw Torque		1,5 Nm
Short Circuit Breaking Capacity	<b>I<sub>cs</sub></b>	1 kA
Serial		MN4 Series
Actuator Material		Metal
Specifications		Maximum product reliability with V0 material
		Different actuator options
		Standard mounting holes
Standards / Certificates		TS EN 60947-5-1





Devre Şeması

