



### P1C300E72H

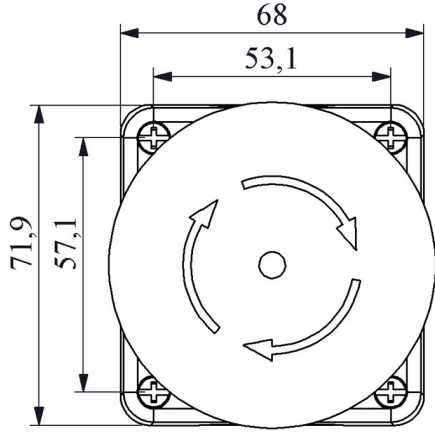
|                                       |  |                       |
|---------------------------------------|--|-----------------------|
| Product                               | Control Box                                  |                       |
| Color                                 | Grey-Black                                   |                       |
| Current                               | <b>Ie</b>                                    | 4A (250V AC)          |
| Usage Category                        | AC15   |                       |
| Mechanical Life                       | <b>Min Qty</b>                               | 1000000               |
| Electrical Life                       | <b>Min Qty</b>                               | 100000                |
| Operating Frequency                   | <b>On-Off/Hour</b>                           | Mech. 3000 Elec. 1200 |
| Insulation Voltage                    | <b>Ui</b>                                    | 300 V                 |
| Impulse Withstand Voltage             | <b>Uimp</b>                                  | 2.5 kV                |
| Dielectric Strength (Body-Contact)    | 2.500V AC                                    |                       |
| Dielectric Strength (Contact-Contact) | 1.500V AC                                    |                       |
| Isolation Resistance                  | 10 MΩ (500 V DC)                             |                       |
| Operating Temperature                 | -15 / + 80 °C                                |                       |
| Pollution Degree                      | 3  |                       |
| Protection Degree                     | IP65   |                       |
| Contact Material                      | AgNi   |                       |
| Cable Section                         | 1.5-2.5 mm <sup>2</sup>                      |                       |
| Screw Torque                          | 1.5Nm  |                       |
| Short Circuit Breaking Capacity       | <b>Ics</b>                                   | 1kA                   |
| Serial                                | P Series Plastic                             |                       |
| Hole Qty                              | 1 Hole                                       |                       |
| Ingredients                           | CPDE72H+C3CK (NO)                            |                       |
| Specifications                        | Suitable for Ø22 mm buttons                  |                       |
|                                       | Strong resistance against mechanical strokes |                       |
|                                       | IP65 with suitable buttons                   |                       |
|                                       | Body types in different dimensions           |                       |
| Standards / Certificates              | TS EN 60947-5-1 UL 508 VDE 0660              |                       |

CE

ERT



P1C300E72



Devre Şeması

