



P1C400E40

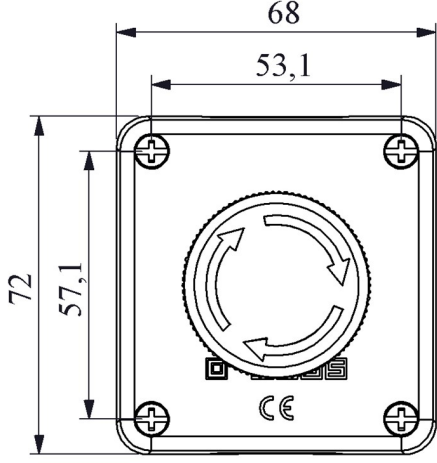
| | | |
|---------------------------------------|--|-----------------------|
| Product | Control Box | |
| Color | Black-Grey | |
| Current | Ie | 4A (250V AC) |
| Usage Category | AC15 | |
| Mechanical Life | Min Qty | 1000000 |
| Electrical Life | Min Qty | 100000 |
| Operating Frequency | On-Off/Hour | Mech. 3000 Elec. 1200 |
| Insulation Voltage | Ui | 300 V |
| Impulse Withstand Voltage | Uimp | 2.5 kV |
| Dielectric Strength (Body-Contact) | 2.500V AC | |
| Dielectric Strength (Contact-Contact) | 1.500V AC | |
| Isolation Resistance | 10 MΩ (500 V DC) | |
| Operating Temperature | -15 / + 80 °C | |
| Pollution Degree | 3 | |
| Protection Degree | IP50 | |
| Contact Material | AgNi | |
| Cable Section | 1.5-2.5 mm ² | |
| Screw Torque | 1.5Nm | |
| Short Circuit Breaking Capacity | Ics | 1kA |
| Serial | P Series Plastic | |
| Hole Qty | 1 Hole | |
| Ingredients | BDE+C4BK (NC) | |
| Specifications | Suitable for Ø22 mm buttons | |
| | Strong resistance against mechanical strokes | |
| | IP65 with suitable buttons | |
| | Body types in different dimensions | |
| Standards / Certificates | TS EN 60947-5-1 UL 508 VDE 0660 | |

CE

ERT



P1C400E40



Devre Şeması

