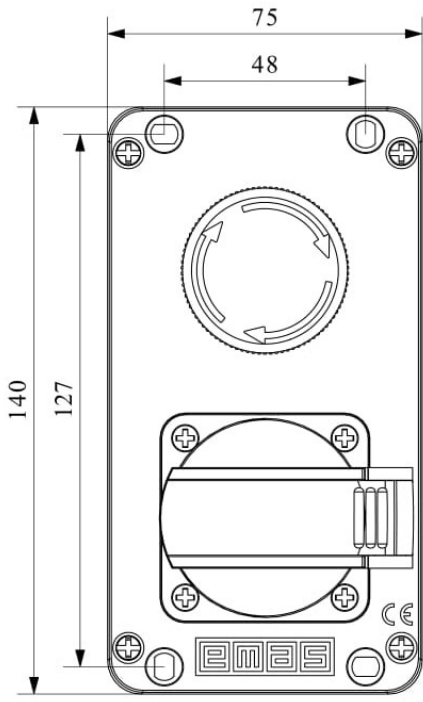




### PA2E40P1

Product	Lift Station	
Color	Yellow-Grey	
Current	<b>Ie</b>	4A (250V AC)
Usage Category	AC15	
Mechanical Life	<b>Min Qty</b>	1000000
Electrical Life	<b>Min Qty</b>	100000
Operating Frequency	<b>On-Off/Hour</b>	Mech. 3000 Elec. 1200
Insulation Voltage	<b>Ui</b>	300 V
Impulse Withstand Voltage	<b>Uimp</b>	2.5 kV
Dielectric Strength (Body-Contact)	2.500V AC	
Dielectric Strength (Contact-Contact)	1.500V AC	
Isolation Resistance	10 MΩ (500 V DC)	
Operating Temperature	-15 / + 80 °C	
Pollution Degree	3	
Protection Degree	IP65	
Contact Material	AgNi	
Cable Section	1.5-2.5 mm <sup>2</sup>	
Screw Torque	1.5Nm	
Short Circuit Breaking Capacity	<b>Ics</b>	1kA
Serial	PA Series	
Hole Qty	2 Holes	
Ingredients	B200E + EPREU1M	
Specifications	Suitable for Ø22 mm control units	
	Aesthetic, durable and ergonomic design	
Standards / Certificates	TS EN 60947-5-1 UL 508 VDE 0660	





PA2E40P1

Devre Şeması  
1 ——— 2

Devre Şeması  
K

