

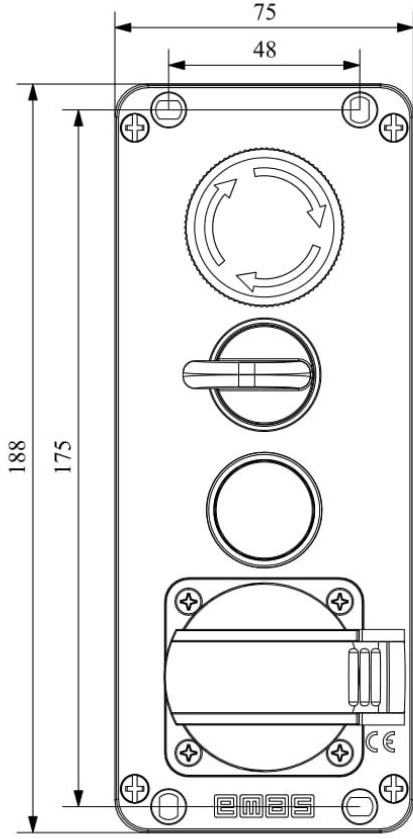


PA4411

Product	Lift Station	
Color	Yellow-Black	
Current	Ie	4A (250V AC)
Usage Category	AC15	
Mechanical Life	Min Qty	1000000
Electrical Life	Min Qty	100000
Operating Frequency	On-Off/Hour	Mech. 3000 Elec. 1200
Insulation Voltage	Ui	300 V
Impulse Withstand Voltage	Uimp	2.5 kV
Dielectric Strength (Body-Contact)	2.500V AC	
Dielectric Strength (Contact-Contact)	1.500V AC	
Isolation Resistance	10 MΩ (500 V DC)	
Operating Temperature	-15 / + 80 °C	
Pollution Degree	3	
Protection Degree	IP65	
Contact Material	AgNi	
Cable Section	1.5-2.5 mm ²	
Screw Torque	1.5Nm	
Short Circuit Breaking Capacity	Ics	1kA
Serial	PA Series	
Hole Qty	4 Holes	
Ingredients	CP200E + CP100DY + CP101S20 + EPREU1M	
Specifications	Suitable for Ø22 mm control units	
	Aesthetic, durable and ergonomic design	
Standards / Certificates	TS EN 60947-5-1 UL 508 VDE 0660	



PA4411



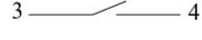
Devre Şeması



Devre Şeması



Devre Şeması



Devre Şeması

K

