



PDKS11BX10T

Carton Box pieces	Qty	1
Product		Foot Switch
Feature		Single
Contact		1NO+1NC
Color		Orange
Protection		Metal Protection
Current	Ie	3 A (240V AC)
Usage Category		AC15
Mechanical Life	Min Qty	1000000
Electrical Life	Min Qty	100000
Operating Frequency	On-Off/Hour	Mech. 1800 Elec. 1200
Insulation Voltage	Ui	300 V
Impulse Withstand Voltage	Uimp	2.5 kV
Dielectric Strength (Body-Contact)		2.500V AC
Dielectric Strength (Contact-Contact)		1.500V AC
Isolation Resistance		10 MΩ min. (500V DC)
Operating Temperature		-25 / +80 °C
Pollution Degree		3
Protection Degree		IP65
Contact Material		AgNi
Cable Section		1.5-2.5 mm ²
Screw Torque		1.5Nm
Short Circuit Breaking Capacity	Ics	1 kA
Body Material		Plastic
Production Time		31.12.1899 00:00:00
Serial		PDK Series
Specifications		Plastic or Metal options
		Single and Double Speed

Yellow

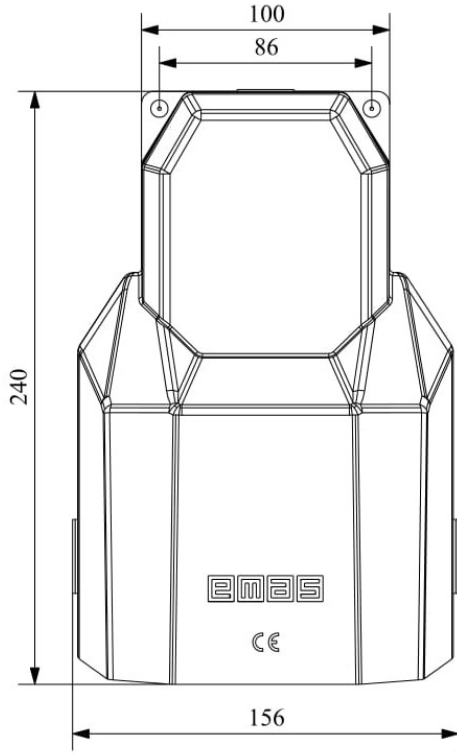
Grey and orange color options

with Latching option

Standards / Certificates TS EN 60947-5-1 UL 508 VDE 0660



PDKS11BX10T



K13
Devre Şeması

13	—	14
21	—	22

