



### PSA0100K421S

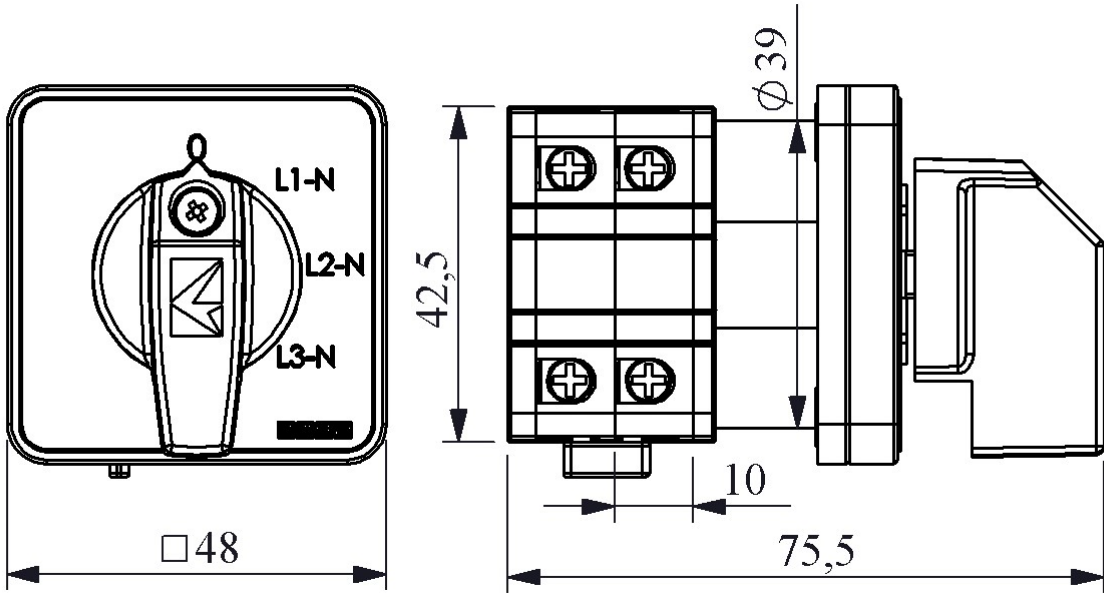
<b>Product</b>	Cam Switch	
<b>Feature</b>	4 Position	
<b>Switch Type</b>	Measuring	
<b>Pole / Phase</b>	3 Phase	
<b>Frame Size</b>	48*48	
<b>Current</b>	<b>Ie</b>	10A
<b>Usage Category</b>	AC21A	
<b>Mechanical Life</b>	<b>Min Qty</b>	100000
<b>Electrical Life</b>	<b>Min Qty</b>	50000
<b>Operating Frequency</b>	<b>On-Off/Hour</b>	Mech.120 Elec.120
<b>Insulation Voltage</b>	<b>Ui</b>	690V
<b>Impulse Withstand Voltage</b>	<b>Uimp</b>	4 kV
<b>Dielectric Strength (Body-Contact)</b>	1.890V AC	
<b>Dielectric Strength (Contact-Contact)</b>	1.890V AC	
<b>Isolation Resistance</b>	10 MΩ MIN. (500 V DC)	
<b>Operating Temperature</b>	-25 / +80 °C	
<b>Pollution Degree</b>	3	
<b>Protection Degree</b>	IP54	
<b>Contact Material</b>	AgNi	
<b>Cable Section</b>	1-2,5 mm <sup>2</sup>	
<b>Spin Angle</b>	45°	
<b>Short Circuit Breaking Capacity</b>	<b>Ics</b>	6 kA
<b>Serial</b>	PSA Series	
<b>Specifications</b>	High precision	
	Variety of products for wide application fields	
	Long life time	
	Compact design	
<b>Standards / Certificates</b>	TS EN 60947-3	

CE

ERT



TSE



### Devre Şeması

		1	3	5	7
		2	4	6	8
0					
L1-N	x				x
L2-N		x			x
L3-N			x	x	

