



### PSA016KT123S

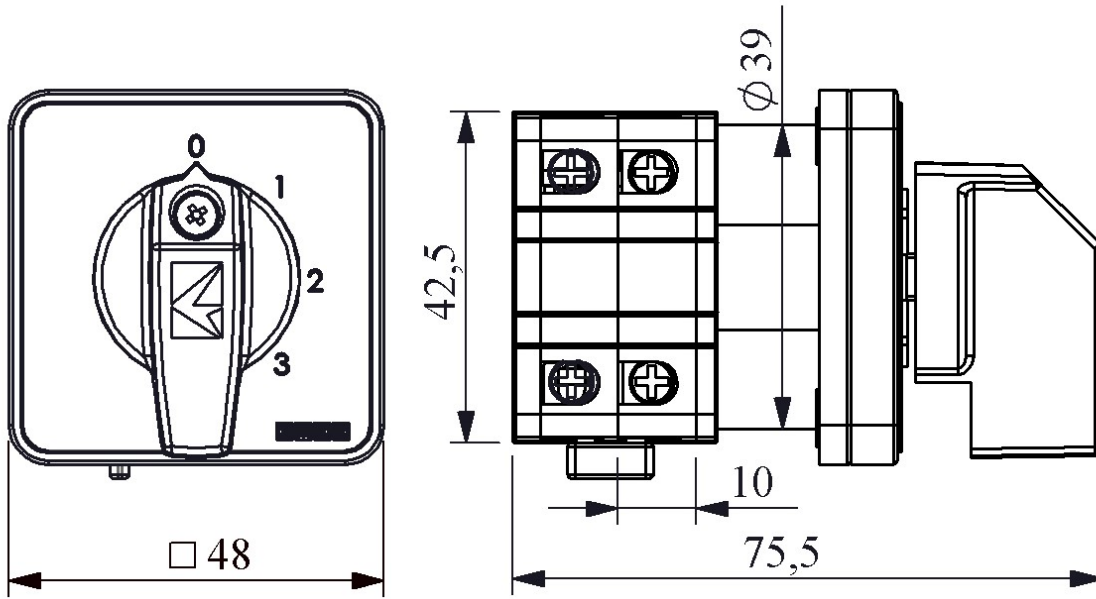
Product		Cam Switch
Label/Position		(0-3)
Switch Type		Step
Pole / Phase		1 Poles
Frame Size		48*48
Current	<b>Ie</b>	16A
Usage Category		AC21A
Mechanical Life	<b>Min Qty</b>	100000
Electrical Life	<b>Min Qty</b>	50000
Operating Frequency	<b>On-Off/Hour</b>	Mech.120 Elec.120
Insulation Voltage	<b>Ui</b>	690V
Impulse Withstand Voltage	<b>Uimp</b>	4 kV
Dielectric Strength (Body-Contact)		1.890V AC
Dielectric Strength (Contact-Contact)		1.890V AC
Isolation Resistance		10 MΩ MIN. (500 V DC)
Operating Temperature		-25 / +80 °C
Pollution Degree		3
Protection Degree		IP54
Contact Material		AgNi
Cable Section		1-2,5 mm <sup>2</sup>
Spin Angle		45°
Short Circuit Breaking Capacity	<b>Ics</b>	6 kA
Serial		PSA Series
Specifications		High precision
		Variety of products for wide application fields
		Long life time
		Compact design
Standards / Certificates		TS EN 60947-3

CE

ERT



TSE



### Devre Şeması

	1	3	5	7
	2	4	6	8
0				
1	X			
2	X	X		
3	X	X	X	

