

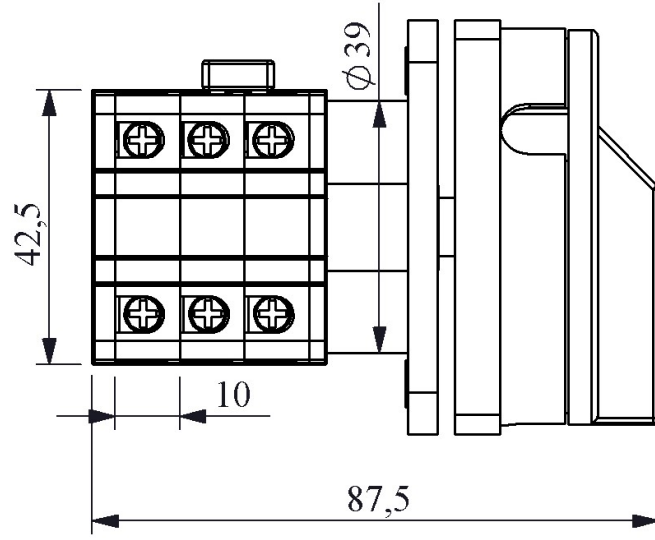
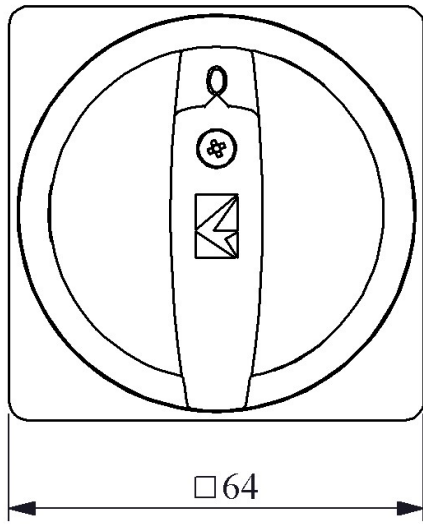


### PSA016MS334F

Product		Cam Switch
Feature		Safety
Label/Position		(1-0-2)
Switch Type		inverter
Pole / Phase		3 Phase
Frame Size		64*64
Current	<b>Ie</b>	16A
Usage Category		AC21A
Mechanical Life	<b>Min Qty</b>	100000
Electrical Life	<b>Min Qty</b>	50000
Operating Frequency	<b>On-Off/Hour</b>	Mech.120 Elec.120
Insulation Voltage	<b>Ui</b>	690V
Impulse Withstand Voltage	<b>Uimp</b>	4 kV
Dielectric Strength (Body-Contact)		1.890V AC
Dielectric Strength (Contact-Contact)		1.890V AC
Isolation Resistance		10 MΩ MIN. (500 V DC)
Operating Temperature		-25 / +80 °C
Pollution Degree		3
Protection Degree		IP54
Contact Material		AgNi
Cable Section		1-2,5 mm <sup>2</sup>
Spin Angle		60°
Short Circuit Breaking Capacity	<b>Ics</b>	6 kA
Serial		PSA Series
Specifications		High precision
		Variety of products for wide application fields
		Long life time
		Compact design

Standards / Certificates TS EN 60947-3





### Devre Şeması

	1	3	5	7	9
	2	4	6	8	10
1		X	X		X
0					
2	X			X	X

