

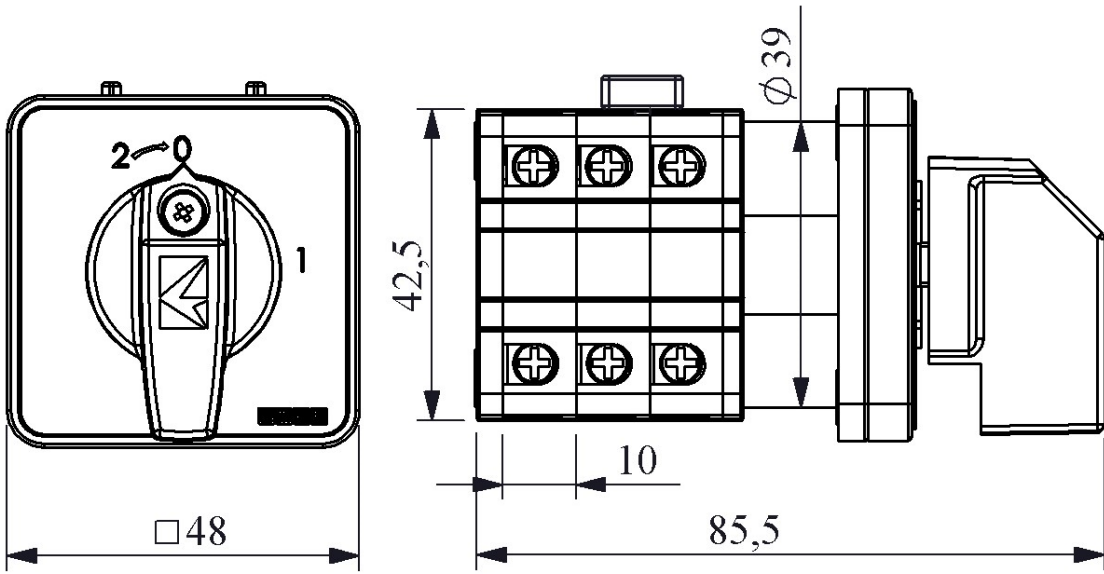


### PSA016MS336S

Product	Cam Switch
Feature	Yayli Geri Dönüş
Label/Position	(1-0-2)
Switch Type	inverter
Pole / Phase	3 Phase
Frame Size	48*48
Current	<b>Ie</b> 16A
Usage Category	AC21A
Mechanical Life	<b>Min Qty</b> 100000
Electrical Life	<b>Min Qty</b> 50000
Operating Frequency	<b>On-Off/Hour</b> Mech.120 Elec.120
Insulation Voltage	<b>Ui</b> 690V
Impulse Withstand Voltage	<b>Uimp</b> 4 kV
Dielectric Strength (Body-Contact)	1.890V AC
Dielectric Strength (Contact-Contact)	1.890V AC
Isolation Resistance	10 MΩ MIN. (500 V DC)
Operating Temperature	-25 / +80 °C
Pollution Degree	3
Protection Degree	IP54
Contact Material	AgNi
Cable Section	1-2,5 mm <sup>2</sup>
Spin Angle	60°
Short Circuit Breaking Capacity	<b>Ics</b> 6 kA
Serial	PSA Series
Specifications	High precision
	Variety of products for wide application fields
	Long life time
	Compact design

Standards / Certificates TS EN 60947-3





Devre Şeması

	1	3	5	7	9
	2	4	6	8	10
2→		X	X		X
0					
1	X			X	X

