


**PSA020MS334S**

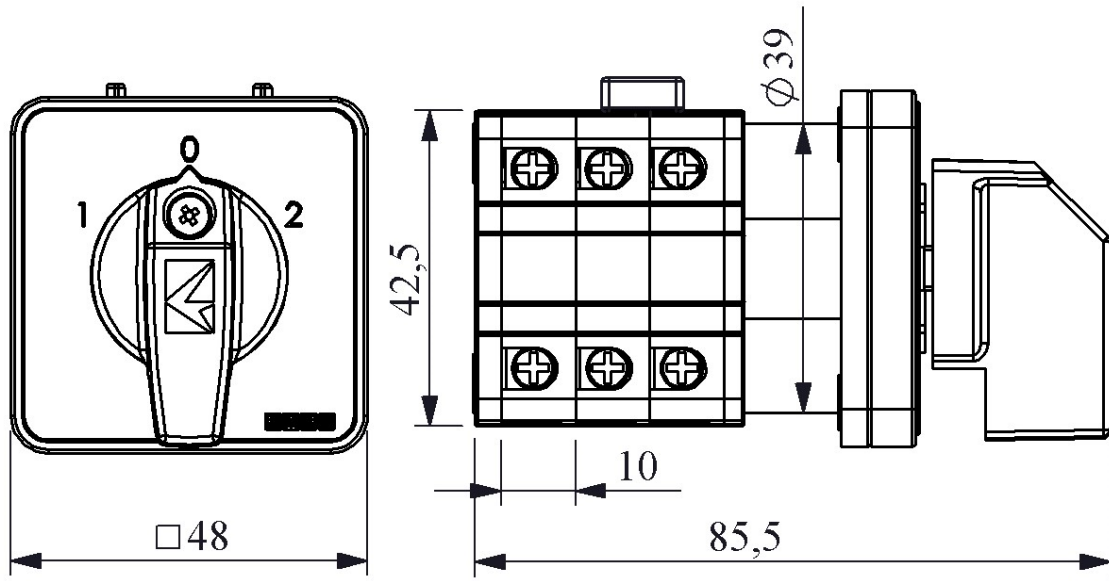
|  |   |                   |
|--|---|-------------------|
| <b>Product</b>                               | Cam Switch                                      |                   |
| <b>Label/Position</b>                        | (1-0-2)   |                   |
| <b>Switch Type</b>                           | inverter  |                   |
| <b>Pole / Phase</b>                          | 3 Phase   |                   |
| <b>Frame Size</b>                            | 48*48   |                   |
| <b>Current</b>                               | <b>Ie</b>                                       | 20A               |
| <b>Usage Category</b>                        | AC21A   |                   |
| <b>Mechanical Life</b>                       | <b>Min Qty</b>                                  | 100000            |
| <b>Electrical Life</b>                       | <b>Min Qty</b>                                  | 50000             |
| <b>Operating Frequency</b>                   | <b>On-Off/Hour</b>                              | Mech.120 Elec.120 |
| <b>Insulation Voltage</b>                    | <b>Ui</b>                                       | 690V              |
| <b>Impulse Withstand Voltage</b>             | <b>Uimp</b>                                     | 4 kV              |
| <b>Dielectric Strength (Body-Contact)</b>    | 1.890V AC                                       |                   |
| <b>Dielectric Strength (Contact-Contact)</b> | 1.890V AC                                       |                   |
| <b>Isolation Resistance</b>                  | 10 MΩ MIN. (500 V DC)                           |                   |
| <b>Operating Temperature</b>                 | -25 / +80 °C                                    |                   |
| <b>Pollution Degree</b>                      | 3   |                   |
| <b>Protection Degree</b>                     | IP54  |                   |
| <b>Contact Material</b>                      | AgNi  |                   |
| <b>Cable Section</b>                         | 1-2,5 mm <sup>2</sup>                           |                   |
| <b>Spin Angle</b>                            | 60°   |                   |
| <b>Short Circuit Breaking Capacity</b>       | <b>Ics</b>                                      | 6 kA              |
| <b>Serial</b>                                | PSA Series                                      |                   |
| <b>Specifications</b>                        | High precision                                  |                   |
|  | Variety of products for wide application fields |                   |
|  | Long life time                                  |                   |
|  | Compact design                                  |                   |
| <b>Standards / Certificates</b>              | TS EN 60947-3                                   |                   |

CE

ERT



TSE



### Devre Şeması

|   |   |   |   |   |    |
|---|---|---|---|---|----|
|   | 1 | 3 | 5 | 7 | 9  |
|   | 2 | 4 | 6 | 8 | 10 |
| 1 |   | X | X |   | X  |
| 0 |   |   |   |   |    |
| 2 | X |   |   | X | X  |

