

**PSA025KS132B**

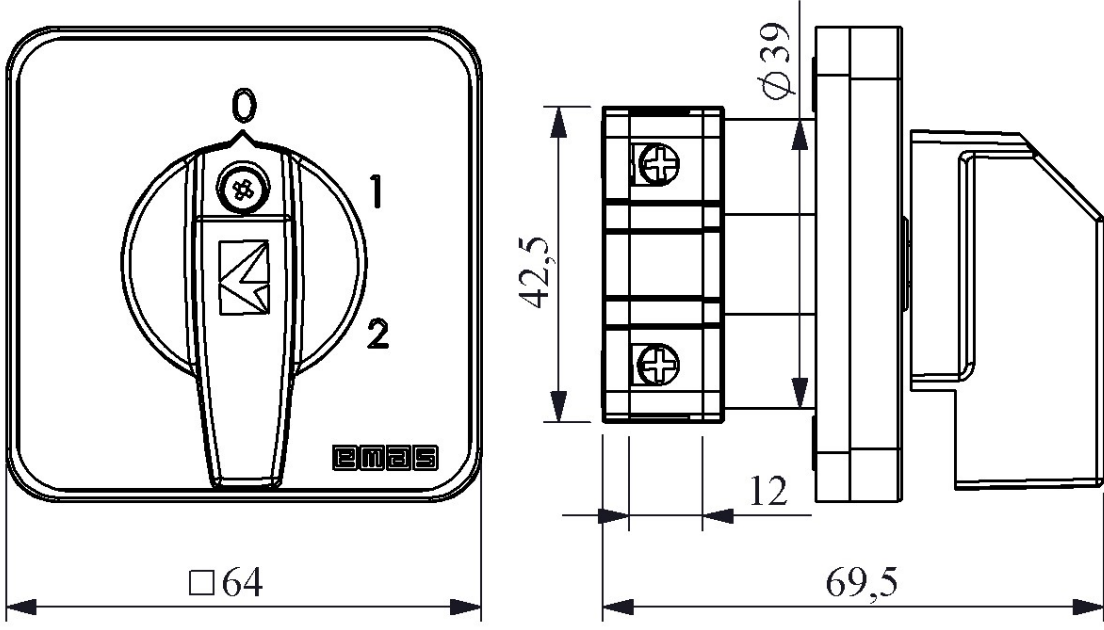
| | | |
|--|--------------------|---|
| Product | | Cam Switch |
| Label/Position | | (0-1-2) |
| Switch Type | | 2 Steps |
| Pole / Phase | | 1 Poles |
| Frame Size | | 64*64 |
| Current | Ie | 25A |
| Usage Category | | AC21A |
| Mechanical Life | Min Qty | 100000 |
| Electrical Life | Min Qty | 50000 |
| Operating Frequency | On-Off/Hour | Mech.120 Elec.120 |
| Insulation Voltage | Ui | 690V |
| Impulse Withstand Voltage | Uimp | 4 kV |
| Dielectric Strength (Body-Contact) | | 1.890V AC |
| Dielectric Strength (Contact-Contact) | | 1.890V AC |
| Isolation Resistance | | 10 MΩ MIN. (500 V DC) |
| Operating Temperature | | -25 / +80 °C |
| Pollution Degree | | 3 |
| Protection Degree | | IP54 |
| Contact Material | | AgNi |
| Cable Section | | 1-2,5 mm ² |
| Spin Angle | | 60° |
| Short Circuit Breaking Capacity | Ics | 6 kA |
| Serial | | PSA Series |
| Specifications | | High precision |
| | | Variety of products for wide application fields |
| | | Long life time |
| | | Compact design |
| Standards / Certificates | | TS EN 60947-3 |

CE

ERT



TSE



Devre Şeması

| | | |
|---|---|---|
| | 1 | 3 |
| | 2 | 4 |
| 0 | | |
| 1 | X | |
| 2 | | X |

