



PSA032AK331S

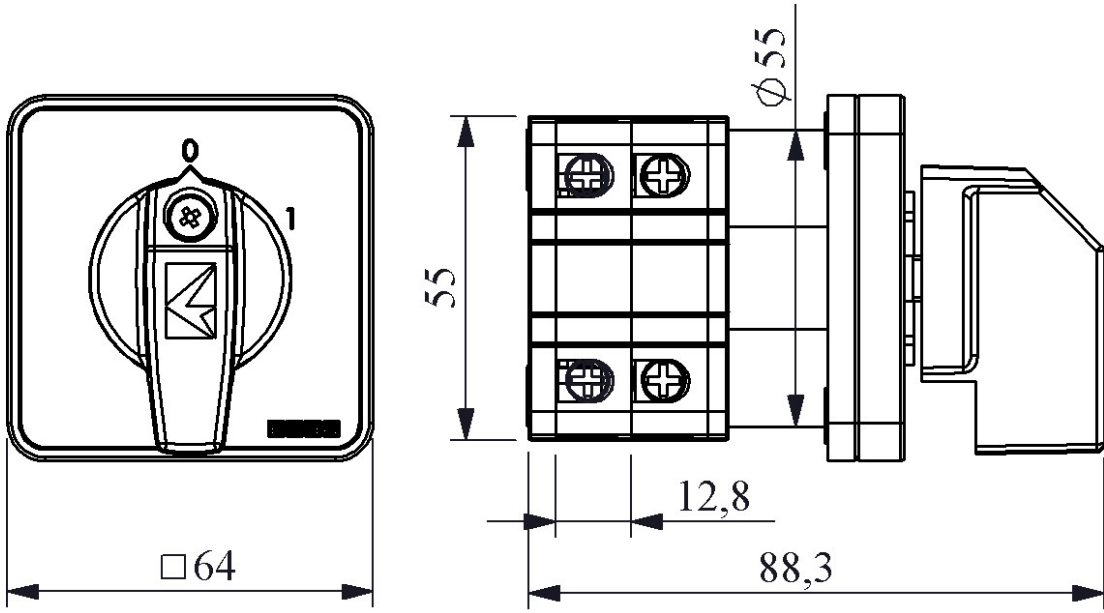
| | | |
|---------------------------------------|---|-------------------|
| Product | Cam Switch | |
| Label/Position | (0-1) | |
| Switch Type | On-Off | |
| Pole / Phase | 3 Phase | |
| Frame Size | 64*64 | |
| Current | Ie | 32A |
| Usage Category | AC21A | |
| Mechanical Life | Min Qty | 100000 |
| Electrical Life | Min Qty | 50000 |
| Operating Frequency | On-Off/Hour | Mech.120 Elec.120 |
| Insulation Voltage | Ui | 690V |
| Impulse Withstand Voltage | Uimp | 4 kV |
| Dielectric Strength (Body-Contact) | 1.890V AC | |
| Dielectric Strength (Contact-Contact) | 1.890V AC | |
| Isolation Resistance | 10 MΩ MIN. (500 V DC) | |
| Operating Temperature | -25 / +80 °C | |
| Pollution Degree | 3 | |
| Protection Degree | IP54 | |
| Contact Material | AgNi | |
| Cable Section | 4 mm ² | |
| Spin Angle | 60° | |
| Short Circuit Breaking Capacity | Ics | 6 kA |
| Serial | PSA Series | |
| Specifications | High precision | |
| | Variety of products for wide application fields | |
| | Long life time | |
| | Compact design | |
| Standards / Certificates | TS EN 60947-3 | |

CE

ERT



TSE



Devre Şeması

| | | | |
|---|---|---|---|
| | 1 | 3 | 5 |
| | 2 | 4 | 6 |
| 0 | | | |
| 1 | X | X | X |

