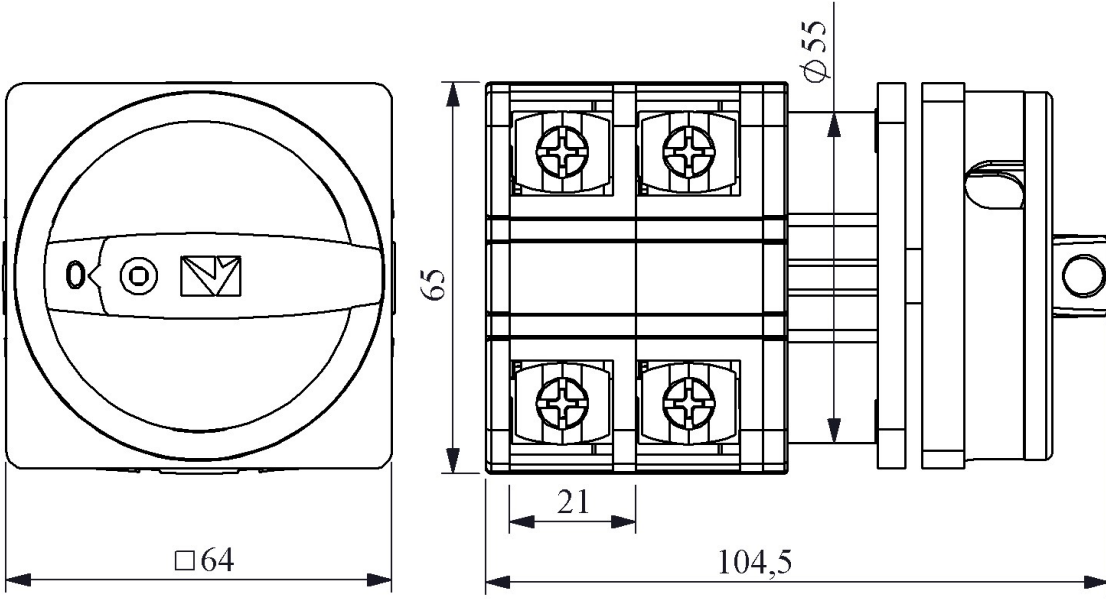



PSA063AK441E

Product		Cam Switch
Feature		Safety
Label/Position		(0-1)
Switch Type		On-Off
Pole / Phase		4 Phase
Frame Size		64*64
Current	Ie	63A
Contact Material		AgNi
Cable Section		6 mm ²
Spin Angle		90°
Short Circuit Breaking Capacity	Ics	6 kA
Serial		PSA Series
Protection Degree		IP54
Pollution Degree		3
Operating Temperature		-25 / +80 °C
Isolation Resistance		10 MΩ MIN. (500 V DC)
Dielectric Strength (Contact-Contact)		1.890V AC
Dielectric Strength (Body-Contact)		1.890V AC
Impulse Withstand Voltage	Uimp	4 kV
Insulation Voltage	Ui	690V
Operating Frequency	On-Off/Hour	Mech.120 Elec.120
Electrical Life	Min Qty	50000
Mechanical Life	Min Qty	100000
Usage Category		AC21A
Specifications		High precision
		Variety of products for wide application fields
		Long life time
		Compact design

Standards / Certificates TS EN 60947-3





Devre Şeması

	1	3	5	7
	2	4	6	8
0				
1	X	X	X	X

