



PV222

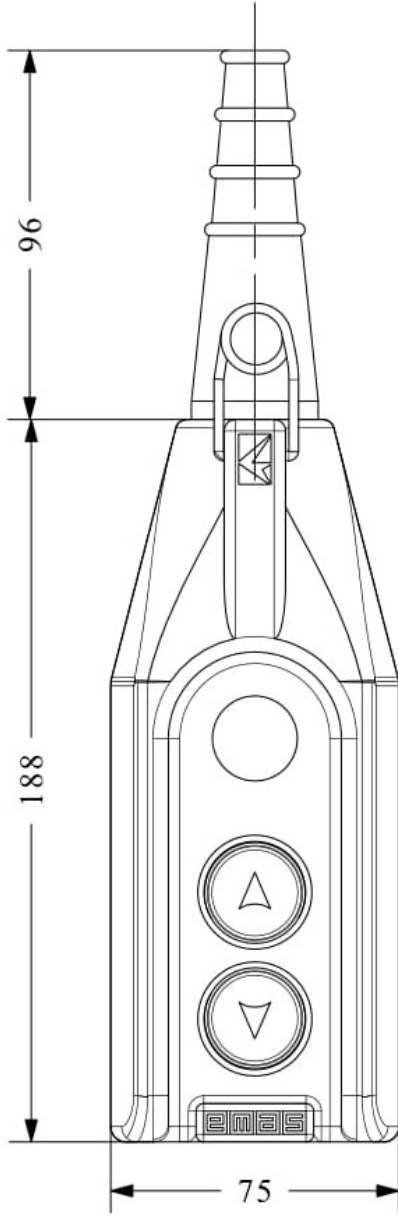
Product	Crane Pendant Station	
Type	2 Hole	
Current	Ie	4A (250V AC)
Usage Category	AC15	
Mechanical Life	Min Qty	1000000
Electrical Life	Min Qty	100000
Operating Frequency	On-Off/Hour	Mech. 900 Elec. 900
Insulation Voltage	Ui	300 V
Impulse Withstand Voltage	Uimp	2.5 kV
Dielectric Strength (Body-Contact)	2.500V AC	
Dielectric Strength (Contact-Contact)	1.500V AC	
Isolation Resistance	10 MΩ (500 V DC)	
Operating Temperature	-15 / + 80 °C	
Pollution Degree	3	
Protection Degree	IP65	
Contact Material	AgNi	
Cable Section	1.5-2.5 mm ²	
Screw Torque	1.5Nm	
Short Circuit Breaking Capacity	Ics	1kA
Serial	PV Series	
Speed	Single Speed	
1.Hole	1.Hole Closed	
Specifications	Aesthetic look and ergonomic usage with assistance of ABS reinforced material	
	Mechanical interlock	
	Single and double speed	
Standards / Certificates	TS EN 60947-5-1 UL 508 VDE 0660	

CE

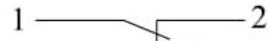
ERT



PV2Z2



TEK HIZ BEYAZ
Devre Şeması



TEK HIZ SİYAH
Devre Şeması

