



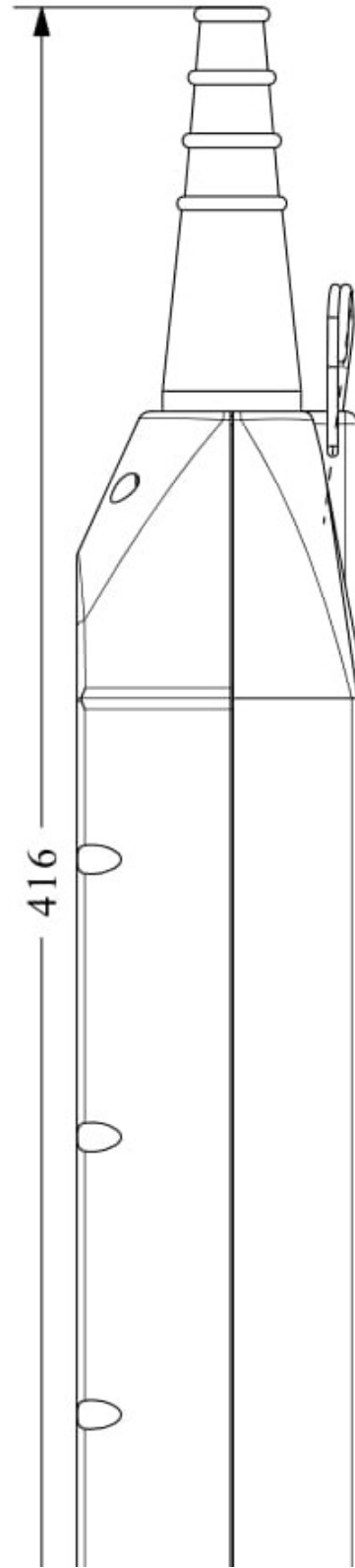
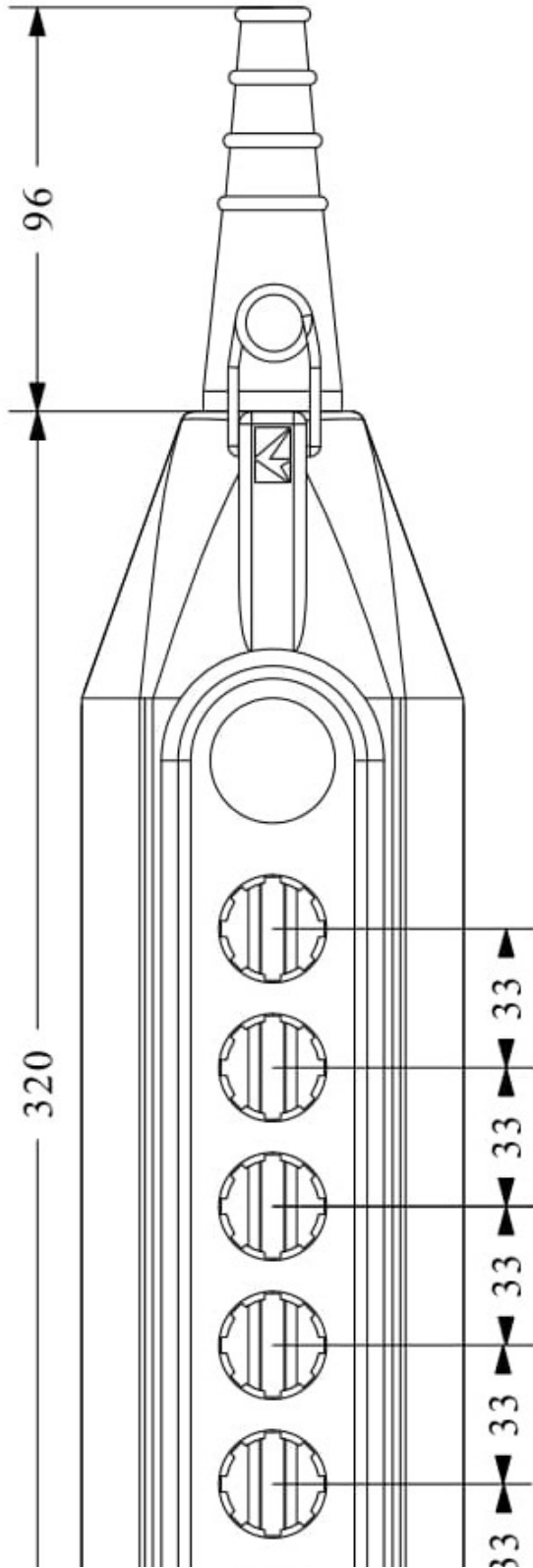
PV7T1X		
Product		Crane Pendant Station
Type		7 Hole
Current	Ie	4A (250V AC)
Usage Category		AC15
Mechanical Life	Min Qty	1000000
Electrical Life	Min Qty	100000
Operating Frequency	On-Off/Hour	Mech. 900 Elec. 900
Insulation Voltage	Ui	300 V
Impulse Withstand Voltage	Uimp	2.5 kV
Dielectric Strength (Body-Contact)		2.500V AC
Dielectric Strength (Contact-Contact)		1.500V AC
Isolation Resistance		10 MΩ (500 V DC)
Operating Temperature		-15 / + 80 °C
Pollution Degree		3
Protection Degree		IP65
Contact Material		AgNi
Cable Section		1.5-2.5 mm ²
Screw Torque		1.5Nm
Short Circuit Breaking Capacity	Ics	1kA
Serial		PV Series
Speed		Blank
1.Hole		Blind Cap
Specifications	Aesthetic look and ergonomic usage with assistance of ABS reinforced material	
	Mechanical interlock	
	Single and double speed	
Standards / Certificates	TS EN 60947-5-1 UL 508 VDE 0660	

CE

ERT



PV7T1X



Spire.XLS

Free version is limited to 5 sheets per workbook and 200 rows per sheet. This limitation is enforced during reading or writing XLS or PDF files. When converting Excel files to PDF files, you can only get the first 3 pages of PDF file.

[Upgrade to Commercial Edition of Spire.XLS](#)