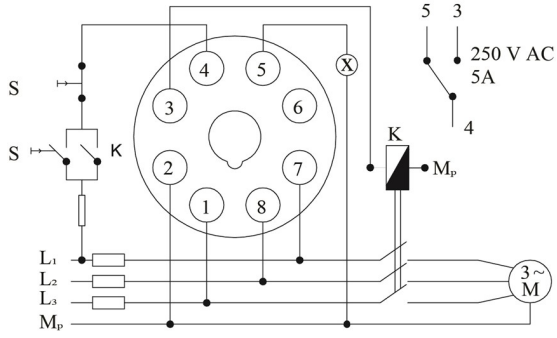
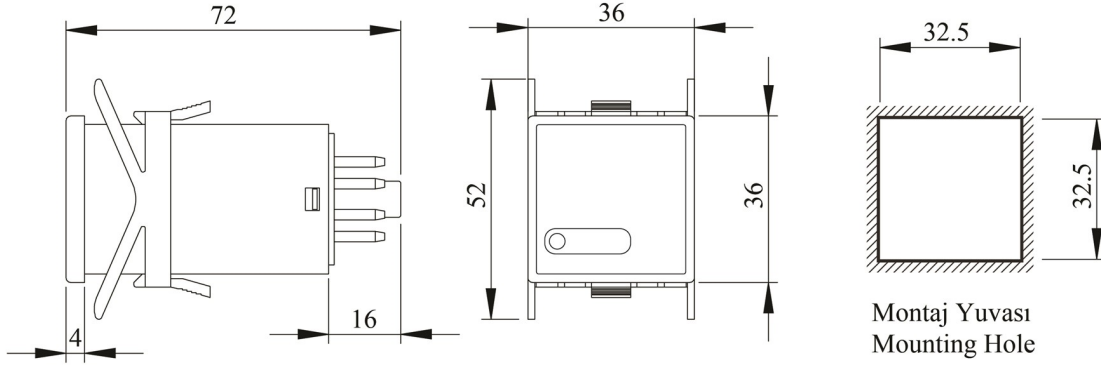




RAM1S

Switching Capacity		6000/saat
Connection Type		8 Pins
Operational Frequency		50Hz
Operational Voltage		3x380VAC
Product		Electronic Relay
Control		Analog
Type		Motor Protection
Contact		1CO
Current	Ie	5A (rezistif)
Mechanical Life	Min Qty	10000000
Electrical Life	Min Qty	100000
Operating Temperature		-5°C...+55°C
Protection Degree		IP20
Contact Material		AgNi
Output Type		1 pcs relay 10A/250V AC
Maximum Contact Power		1500 VA
Number of Contact		1 changeover
Max. Reset Time		≤100ms
Voltage Interval		(0,85-1.1)*Ue
Indicator		Led
Serial		RAM Series
Specifications		Compact design
		Fast and silent switching
		Long life
		Fingerproof design



1-2-8-7: Besleme / Supply
3-4-5: Çıkış kontakları / Relay output

Not : Motor (faz) koruma rölesi RS1P08
tipi röle soketiyle kullanıma uygundur.
Note : Motor (phase) protection relay can be
used with RS1P08 type sockets.