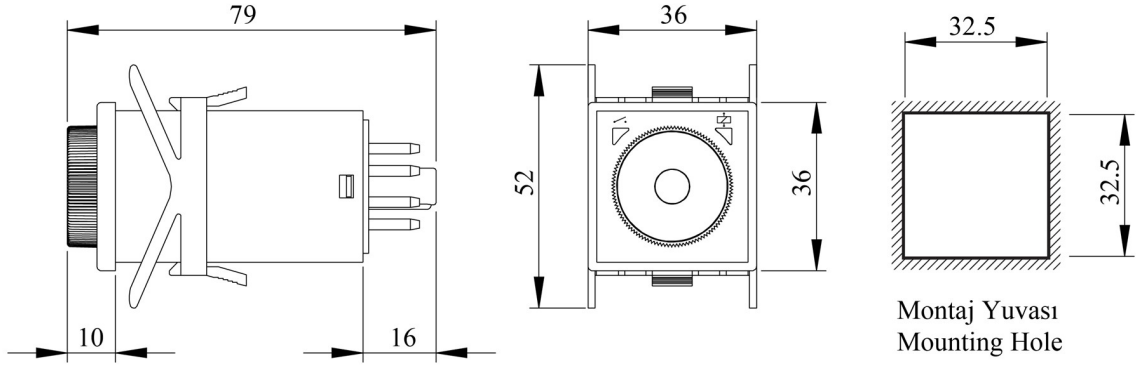


**RZ1A1B03M-25**

Switching Capacity		6000/saat
Connection Type		8 Pins
Operating Current		0.04A
Operational Frequency		50 Hz
Operational Voltage		24VAC/DC-230VAC
Product		Electronic Relay
Control		Analog
Type		Time
Contact		1CO
Current	<b>Ie</b>	5A (rezistif)
Power Consumption		<7VA
Mechanical Life	<b>Min Qty</b>	10000000
Electrical Life	<b>Min Qty</b>	100000
Operating Temperature		-5°C...+55°C
Protection Degree		IP30
Contact Material		AgNi
Time Interval		0,3sec-3min
Maximum Contact Power		150 W, 1,250 VA
Number of Contact		1 changeover
Repeat Accuracy		±%3
Max. Reset Time		≤100ms
Voltage Interval		(0,85-1.1)*Ue
Indicator		Led
Serial		RZ1 Series
Specifications		Compact design
		Fast and silent switching
		Long life
		Fingerproof design





2-7 : Besleme (220 V AC) / Supply (220 V AC)  
 3-7 : Besleme (24 V AC/DC) / Supply (24 V AC/DC)  
 Besleme (12 V AC/DC) / Supply (12V AC/DC)

8-5-6 : Zamana bağlı çıkış kontakları / Timed relay output contacts

