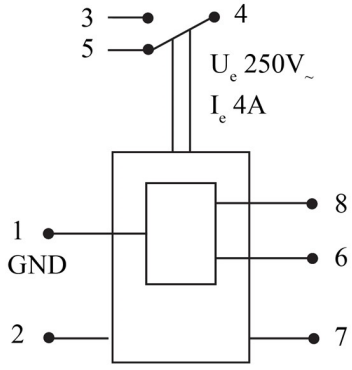
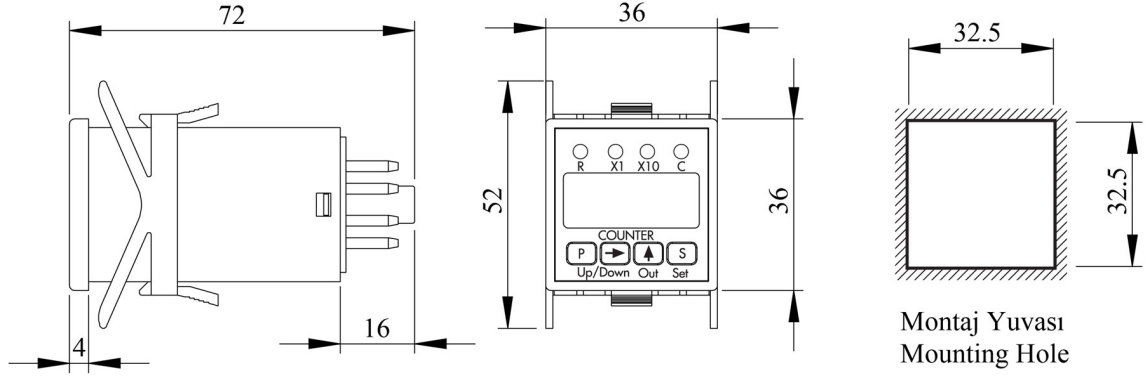


**RZ1D1C-2**

Switching Capacity		6000/saat
Connection Type		8 Pins
Operating Current		0.035A
Operational Frequency		50 Hz
Operational Voltage		24VAC/DC
Product		Electronic Relay
Control		Digital
Type		Counter
Contact		1CO
Current	<b>Ie</b>	5A (rezistif)
Power Consumption		0.7W
Mechanical Life	<b>Min Qty</b>	10000000
Electrical Life	<b>Min Qty</b>	100000
Operating Temperature		-5°C...+55°C
Protection Degree		IP30
Contact Material		AgNi
Maximum Contact Power		1500 VA
Number of Contact		1 changeover
Max. Reset Time		≤100ms
Voltage Interval		(0,85-1.1)*Ue
Indicator		7 Segment Display
Number of Digits		4
Serial		RZ1 Series
Specifications		Compact design
		Fast and silent switching
		Long life
		Fingerproof design





1-8 : Sayma Girişi / Counter Entry  
(12-30V DC lik Puls) / (12-30 V DC Pulse)

1-6 :Reset Girişi (Reset Entry)  
(12-30V DC lik Puls min 10 ms)  
(12-30 V DC Pulse min 10 ms)  
220V AC

Not :Dijital sayıcı RS1P08 tipi röle  
soketiyle kullanıma uygundur.

Note :Digital counter can be used with  
RS1P08 type sockets.