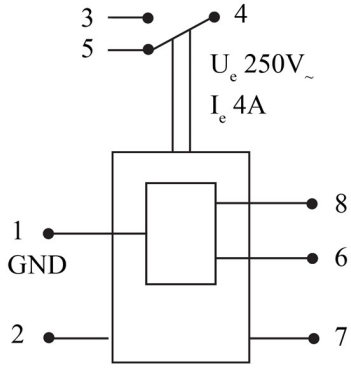
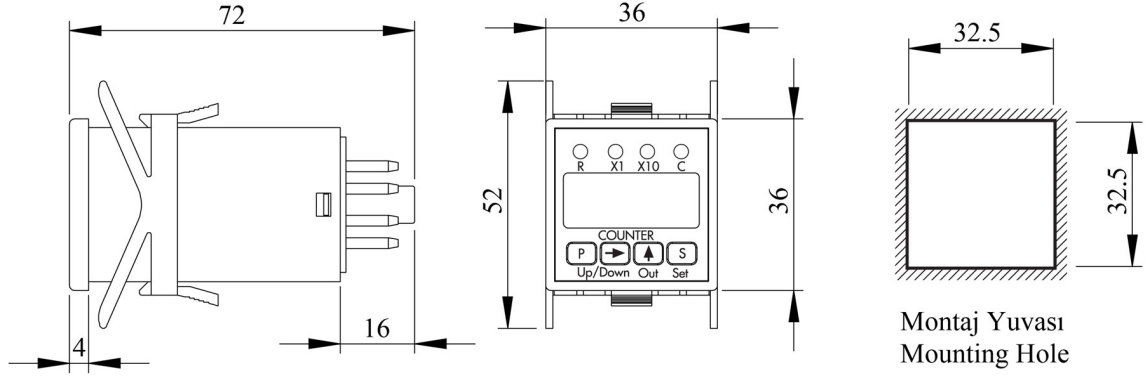




RZ1D1C-5

Switching Capacity		6000/saat
Connection Type		8 Pins
Operating Current		0.01A
Operational Frequency		50 Hz
Operational Voltage		230VAC
Product		Electronic Relay
Control		Digital
Type		Counter
Contact		1CO
Current	Ie	5A (rezistif)
Power Consumption		1.2W
Mechanical Life	Min Qty	10000000
Electrical Life	Min Qty	100000
Operating Temperature		-5°C...+55°C
Protection Degree		IP30
Contact Material		AgNi
Maximum Contact Power		1500 VA
Number of Contact		1 changeover
Max. Reset Time		≤100ms
Voltage Interval		(0,85-1.1)*Ue
Indicator		7 Segment Display
Number of Digits		4
Serial		RZ1 Series
Specifications		Compact design
		Fast and silent switching
		Long life
		Fingerproof design



1-8 : Sayma Girişi / Counter Entry
(12-30V DC lik Puls) / (12-30 V DC Pulse)

1-6 : Reset Girişi (Reset Entry)
(12-30V DC lik Puls min 10 ms)
(12-30 V DC Pulse min 10 ms)
220V AC

Not : Dijital sayıcı RS1P08 tipi röle
soketiyle kullanıma uygundur.

Note : Digital counter can be used with
RS1P08 type sockets.