



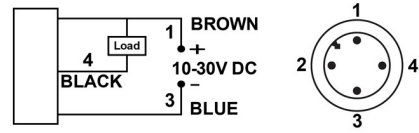
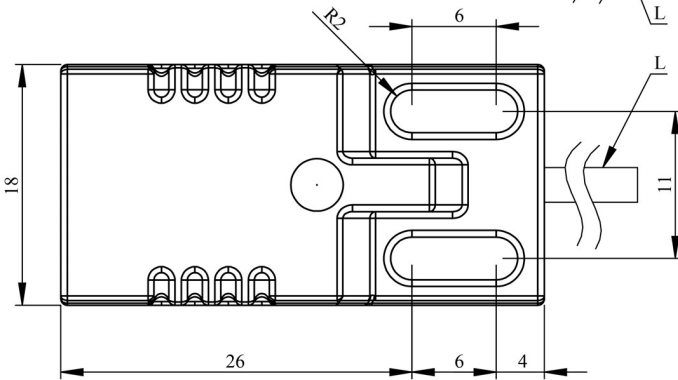
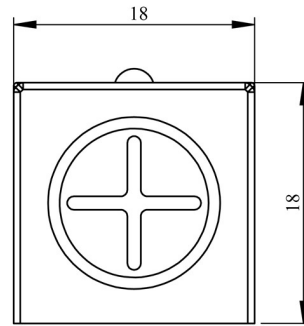
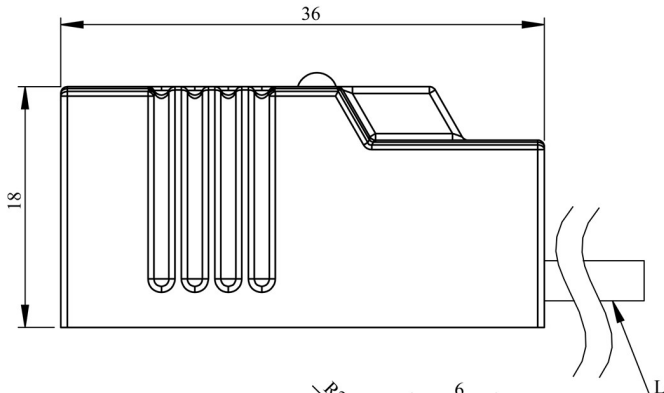




### SIQ18FP1NC7

<b>Product</b>	Square Inductive
<b>Serial</b>	SIQ Series Square Inductive
<b>Body Material</b>	Plastic
<b>Type</b>	Flush
<b>Output/Contact Type</b>	NPN-NO
<b>Sensing Distance</b>	5mm
<b>Connection Type</b>	7m Cable
<b>Connection / Nominal Dimension</b>	18 mm
<b>Mounting</b>	Flush
<b>Operational Voltage</b>	10-30V DC
<b>Insulation Voltage (Ui)</b>	1500 VAC
<b>Impulse Withstand Voltage (Uimp)</b>	75V DC
<b>Operating Temperature</b>	-25°C...+70°C
<b>Pollution Degree</b>	3
<b>Protection Degree</b>	IP67
<b>Hysteresis</b>	<%15 Sr (effective operating distance)
<b>Number of Contact</b>	1
<b>Repeat Accuracy</b>	<0,1 Sr
<b>Switching Frequency</b>	800 Hz
<b>Reverse Polarity Protection</b>	Available
<b>Short Circuit Protection</b>	Available
<b>Max. Load Current</b>	200 mA hiccup
<b>Temperature Drift</b>	<0,1 Sr
<b>Time Delay Before Availability</b>	≤100 ms
<b>No Load Current</b>	< 15 mA
<b>Leakage Current</b>	≤0,5mA
<b>Min. Load Current</b>	< 1mA

<b>Voltage Drop</b>	< 2 V
<b>Ripple (Voltage)</b>	< %10
<b>EMC</b>	61000-4-3 3V/m -- 61000-4-6 3
<b>Conditional Short Circuit Current</b>	100A
<b>Usage Category - Operating Current</b>	DC13 - 200mA
<b>Sensing Face</b>	PBT
<b>Number of Cable and Cable Section</b>	3 x 0,25 mm <sup>2</sup>
<b>Specifications</b>	Fast switching
	Resistant to friction and attrition
	Short circuit and overload protection
	Reverse polarity protection
   	



1 BROWN  
 +  
 10-30V DC  
 -  
 3 BLUE

