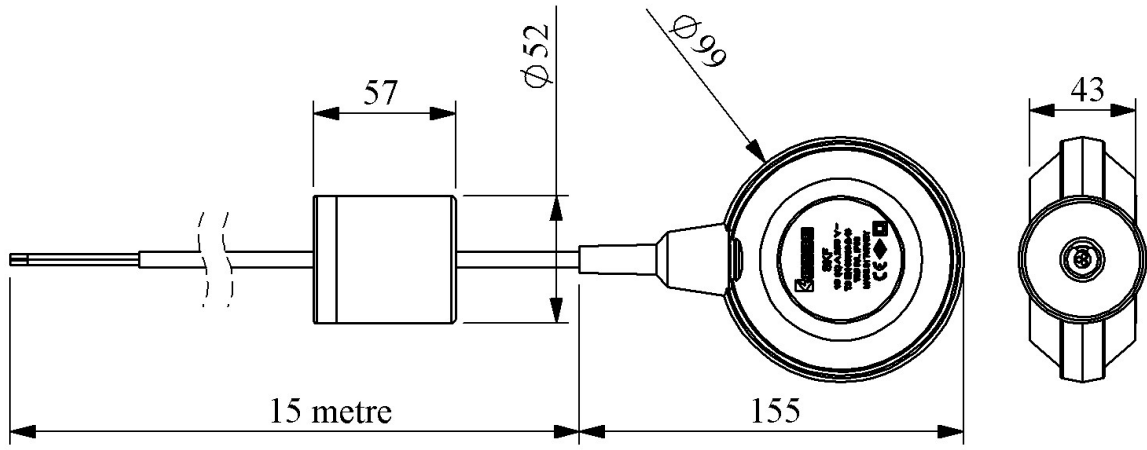




<b>SKF-15</b>	
<b>Product</b>	Level Control Float Switch
<b>Type</b>	Cobra
<b>Feature</b>	With Standard Weight
<b>Cable</b>	15m
<b>Phase Number</b>	1 Phase
<b>Current</b>	<b>Ie</b> 6 A (250V AC)
<b>Usage Category</b>	AC15
<b>Mechanical Life</b>	<b>Min Qty</b> 30000
<b>Electrical Life</b>	<b>Min Qty</b> 10000
<b>Operating Frequency</b>	<b>On-Off/Hour</b> Mek.120 Elk.120
<b>Insulation Voltage</b>	<b>Ui</b> 660V
<b>Impulse Withstand Voltage</b>	<b>Uimp</b> 2.75 kV
<b>Dielectric Strength (Body-Contact)</b>	2750V AC
<b>Dielectric Strength (Contact-Contact)</b>	1890V AC
<b>Isolation Resistance</b>	10 MΩ Min. (500 V DC)
<b>Operating Temperature</b>	-15 / + 80 °C
<b>Protection Degree</b>	IP68
<b>Contact Material</b>	AgNi
<b>Cable Section</b>	3*1 mm Kablo
<b>Serial</b>	SKF Series
<b>Cable Type</b>	PVC
<b>Specifications</b>	Easy assembly
	Feature to adjust the requested operation interval with weight
	Different cable length options
	Waterproof
<b>Standards / Certificates</b>	TS EN 60730-2-15



Devre Şeması

— Mavi

Siyah — Kahverengi