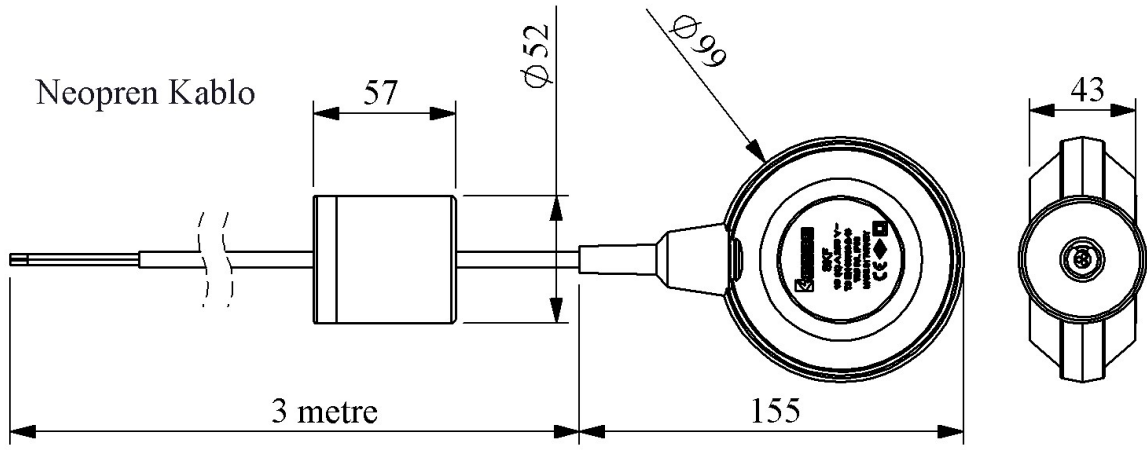



SKF-3N

| | | |
|--|--|-----------------|
| Product | Level Control Float Switch | |
| Type | Cobra | |
| Feature | With Standard Weight | |
| Cable | 3m | |
| Phase Number | 1 Phase | |
| Current | Ie | 6 A (250V AC) |
| Usage Category | AC15 | |
| Mechanical Life | Min Qty | 30000 |
| Electrical Life | Min Qty | 10000 |
| Operating Frequency | On-Off/Hour | Mek.120 Elk.120 |
| Insulation Voltage | Ui | 660V |
| Impulse Withstand Voltage | Uimp | 2.75 kV |
| Dielectric Strength (Body-Contact) | 2750V AC | |
| Dielectric Strength (Contact-Contact) | 1890V AC | |
| Isolation Resistance | 10 MΩ Min. (500 V DC) | |
| Operating Temperature | -15 / + 80 °C | |
| Protection Degree | IP68 | |
| Contact Material | AgNi | |
| Cable Section | 3*1 mm Kablo | |
| Serial | SKF Series | |
| Cable Type | Neoprene | |
| Specifications | Easy assembly | |
| | Feature to adjust the requested operation interval with weight | |
| | Different cable length options | |
| | Waterproof | |
| Standards / Certificates | TS EN 60730-2-15 | |



Devre Şeması

— Mavi

Siyah — Kahverengi