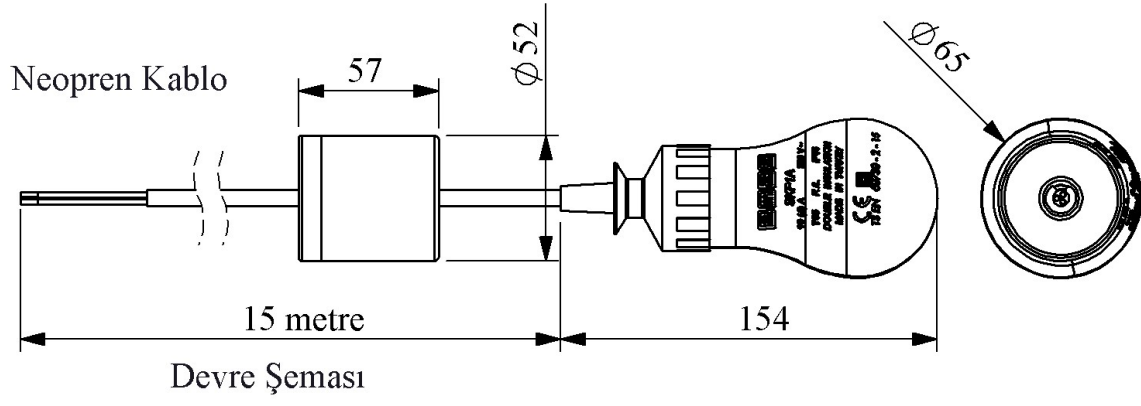



**SKF1A-15N**

<b>Product</b>	Level Control Float Switch	
<b>Type</b>	Bulb	
<b>Feature</b>	With Standard Weight	
<b>Cable</b>	15m	
<b>Phase Number</b>	1 Phase	
<b>Current</b>	<b>Ie</b>	6 A (250V AC)
<b>Usage Category</b>	AC15	
<b>Mechanical Life</b>	<b>Min Qty</b>	30000
<b>Electrical Life</b>	<b>Min Qty</b>	10000
<b>Operating Frequency</b>	<b>On-Off/Hour</b>	Mek.120 Elk.120
<b>Insulation Voltage</b>	<b>Ui</b>	660V
<b>Impulse Withstand Voltage</b>	<b>Uimp</b>	2.75 kV
<b>Dielectric Strength (Body-Contact)</b>	2750V AC	
<b>Dielectric Strength (Contact-Contact)</b>	1890V AC	
<b>Isolation Resistance</b>	10 MΩ Min. (500 V DC)	
<b>Operating Temperature</b>	-15 / + 80 °C	
<b>Protection Degree</b>	IP68	
<b>Contact Material</b>	AgNi	
<b>Cable Section</b>	3*1 mm Kablo	
<b>Serial</b>	SKF1A Series	
<b>Cable Type</b>	Neoprene	
<b>Specifications</b>	Easy assembly	
	Feature to adjust the requested operation interval with weight	
	Different cable length options	
	Waterproof	
<b>Standards / Certificates</b>	TS EN 60730-2-15	





— Mavi

Siyah — Kahverengi