


SPQ50RP2CC2

Product	Square Photoelectric Sensor
Serial	SPQ Series Square Photoelectric Sensor
Body Material	Plastic
Type	Retro Reflection
Output/Contact Type	Relay Output
Sensing Distance	7m
Feature	with LED
Connection Type	2m Cable
Connection / Nominal Dimension	50 mm
Operational Voltage	24-240 V AC/DC
Operational Frequency	50/60 Hz
Current (Ie)	250VAC 3A (rezistif)
Insulation Voltage (Ui)	1500 VAC
Impulse Withstand Voltage (Uimp)	75V DC
Operating Temperature	-20°C...+65°C
Pollution Degree	3
Protection Degree	IP50
Hysteresis	<%15 Sr (effective operating distance)
Number of Contact	1
Repeat Accuracy	<0,1 Sr
Switching Frequency	100 ms (Response Time)
Temperature Drift	<0,1 Sr
Time Delay Before Availability	≤100 ms
Ripple (Voltage)	< %10
EMC	61000-4-3 3V/m -- 61000-4-6 3
Sensing Face	PC

**Number of Cable and
Cable Section**

5 x 0,25 mm²

Specifications

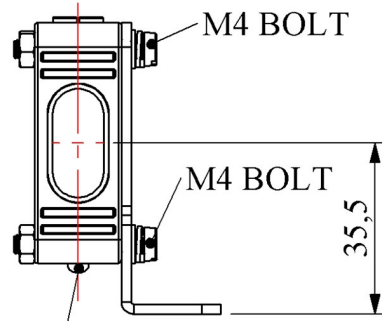
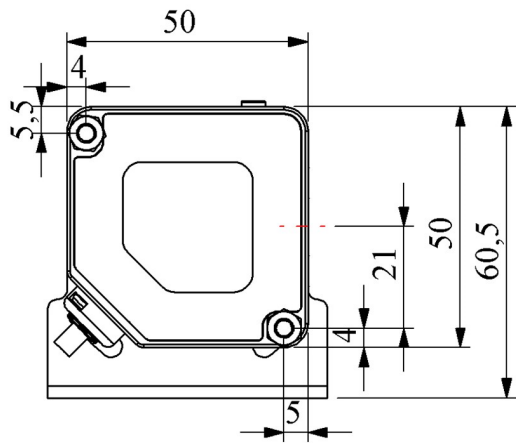
Fast switching

Resistant to friction and attrition

Short circuit and overload protection

Reverse polarity protection





CABLE: $\phi 4,4$

