

**TSP-1.00**

<b>Operational Frequency</b>		50-60 Hz
<b>Product</b>		Thermic Protection Switch
<b>Feature</b>		with Enclosure
<b>Current</b>	<b>Ie</b>	16 A
<b>Thermic Current Calibration Interval</b>		0,60-1,00A
<b>Usage Category</b>		AC 3
<b>Mechanical Life</b>	<b>Min Qty</b>	10000
<b>Electrical Life</b>	<b>Min Qty</b>	10000
<b>Operating Frequency</b>	<b>On-Off/Hour</b>	Mek. 360 Elk. 360
<b>Insulation Voltage</b>	<b>Ui</b>	690V AC
<b>Impulse Withstand Voltage</b>	<b>Uimp</b>	6 kV
<b>Dielectric Strength (Contact-Contact)</b>		1890V
<b>Isolation Resistance</b>		10 MΩ Min. (500 V DC)
<b>Operating Temperature</b>		-5 / +40 °C
<b>Pollution Degree</b>		3
<b>Protection Degree</b>		IP65
<b>Cable Section</b>		0,75-4 mm <sup>2</sup>
<b>Screw Torque</b>		1,8 Nm
<b>Production Time</b>		Adjustable overload release 13 ranges between 0.1-25 A; Short circuit release factor set at 12xIe; Short circuit switching capacity minimum 6 kA / 400 V
<b>Serial</b>		TS Series
<b>Specifications</b>		Adjustable overload release 13 ranges between 0.1-25 A
		Short circuit release factor set at 12xIe
		Short circuit switching capacity minimum 6 kA / 400 V
<b>Standards / Certificates</b>		TS EN 60947-4-1

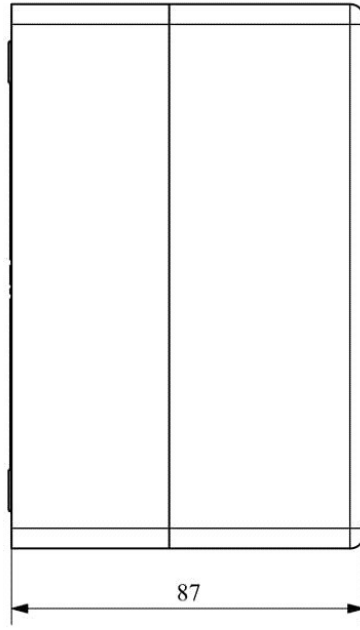
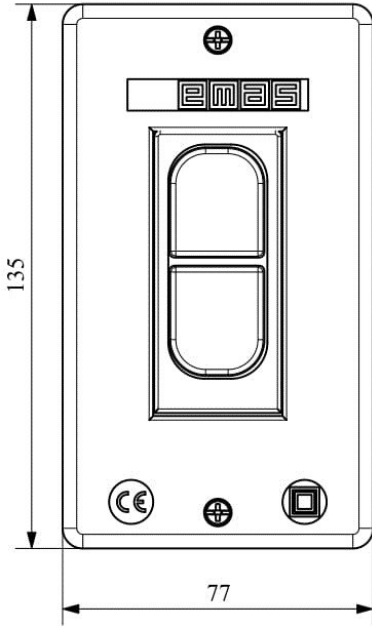
CE

ERT

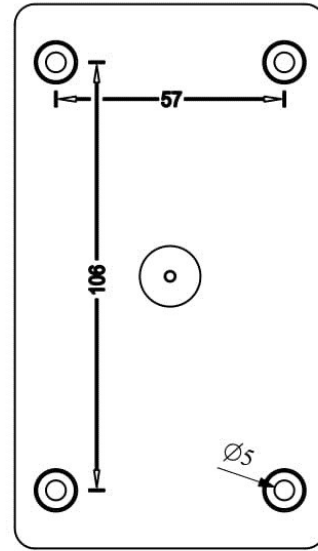


TSE

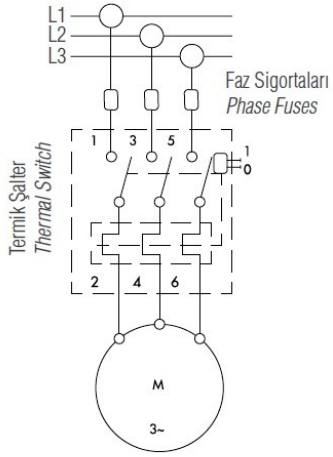
UK  
PA



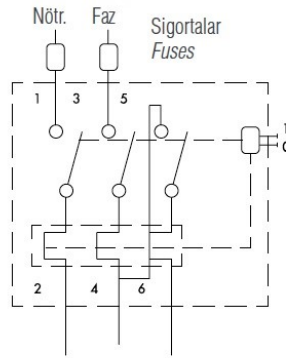
Montaj Ölçüsü



Elektrik Şeması



Trifaze Bağlantı



Monofaze Bağlantı