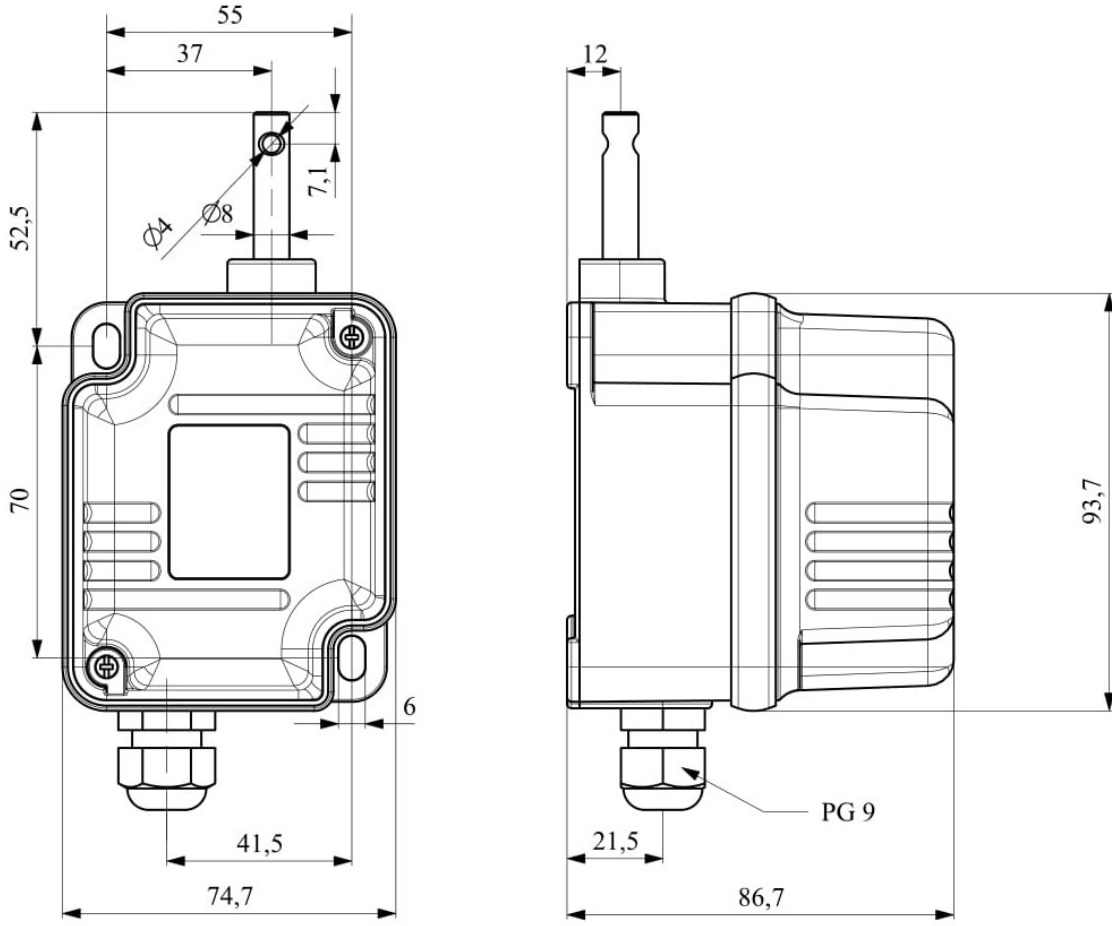



**VT2100**

<b>Product</b>	Rotational Limit Switch	
<b>Type</b>	1/100	
<b>Contact</b>	2*CO	
<b>Current</b>	<b>I<sub>e</sub></b>	10 A (250V AC)
<b>Usage Category</b>	AC 15	
<b>Mechanical Life</b>	<b>Min Qty</b>	1000000
<b>Electrical Life</b>	<b>Min Qty</b>	100000
<b>Operating Frequency</b>	<b>On-Off/Hour</b>	Mech. 120 Elec. 120
<b>Insulation Voltage</b>	<b>U<sub>i</sub></b>	660V
<b>Impulse Withstand Voltage</b>	<b>U<sub>imp</sub></b>	2.5 kV
<b>Dielectric Strength (Body-Contact)</b>	1.890V AC	
<b>Dielectric Strength (Contact-Contact)</b>	1.890V AC	
<b>Isolation Resistance</b>	10 MΩ Min. (500 V DC)	
<b>Operating Temperature</b>	-15 / + 80 °C	
<b>Pollution Degree</b>	3	
<b>Protection Degree</b>	IP67	
<b>Contact Material</b>	AgNi	
<b>Cable Section</b>	1.5-2.5 mm <sup>2</sup>	
<b>Screw Torque</b>	1.5Nm	
<b>Short Circuit Breaking Capacity</b>	<b>I<sub>cs</sub></b>	1kA
<b>Serial</b>	VT Series	
<b>Speed</b>	2 switch	
<b>Cam</b>	20°	
<b>Specifications</b>	High impact strength	
	V0 and Long Life Micro Switches	
<b>Standards / Certificates</b>	TS EN 60947-5-1	



Devre Şeması

