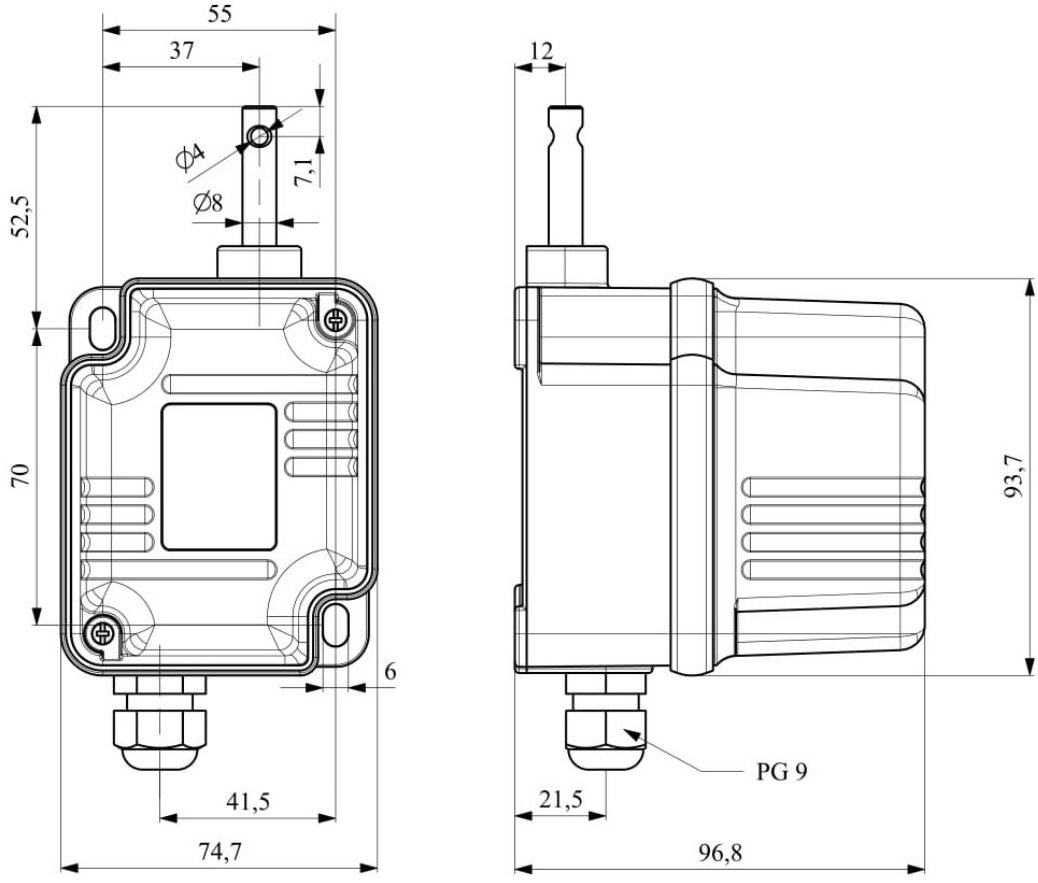



VT4050D

| | | |
|--|---------------------------------|---------------------|
| Product | Rotational Limit Switch | |
| Type | 1/50 | |
| Contact | 4*CO | |
| Current | Ie | 10 A (250V AC) |
| Usage Category | AC 15 | |
| Mechanical Life | Min Qty | 1000000 |
| Electrical Life | Min Qty | 100000 |
| Operating Frequency | On-Off/Hour | Mech. 120 Elec. 120 |
| Insulation Voltage | Ui | 660V |
| Impulse Withstand Voltage | Uimp | 2.5 kV |
| Dielectric Strength (Body-Contact) | 1.890V AC | |
| Dielectric Strength (Contact-Contact) | 1.890V AC | |
| Isolation Resistance | 10 MΩ Min. (500 V DC) | |
| Operating Temperature | -15 / + 80 °C | |
| Pollution Degree | 3 | |
| Protection Degree | IP67 | |
| Contact Material | AgNi | |
| Cable Section | 1.5-2.5 mm ² | |
| Screw Torque | 1.5Nm | |
| Short Circuit Breaking Capacity | Ics | 1kA |
| Serial | VT Series | |
| Speed | 4 switch | |
| Cam | 60° | |
| Specifications | High impact strength | |
| | V0 and Long Life Micro Switches | |
| Standards / Certificates | TS EN 60947-5-1 | |



Devre Şeması

